

SIRUJAP

GAGE PARTS LIST

Series

700F

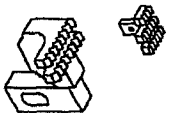
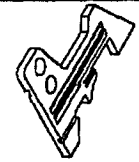
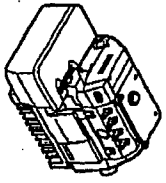
Remark

Page

1 / 5

Date

2013/08/10



機 型 MODEL	針板 NEEDLE PLATE	送 具 FEED DOG	送 具 FEED DOG	押 具 PRESSER FOOT	勾 針 LOOPER	針留 NEEDLE CLAMP	束 子 COLLAR	衝 程 CRANK	衝 程 CRANK	針 號 NEEDLE	
504M1-15	E934D	D438	D912	H442	P152D-2	LP26	KG131-E	KJ10F	KF25-A	KJ09B-E	DCX27#9
504M2-04	E800	D440	D095	H445	P253E-3	LP26	KG131-E	KJ10F	KF25-A	KJ09B-E	DCX27#11
504M2-04CT	E800C	D440	D095	H445	P253E-3	LP26	KG131-E	KJ10F	KF25-A	KJ09B-E	DCX27#11
504M2-04LFC-2	E800	D440	D095	H445	P101-3	LP26	KG131-E	KJ10F	KF25-A	KJ09B-E	DCX27#11
504M2-04LFC-2/EC	E800C	D440	D095	H445	P101-3	LP26	KG131-E	KJ10F	KF25-A	KJ09B-E	DCX27#11
504M2-04TR	E011	D015	D011	H445	P101-3	LP26	KG131-E	KJ10F	KF25-A	KJ09B-E	DCX27#11
504M2-04VT	E800	D440	D095	H445	P253E-3	LP26	KG131-E	KJ10F	KF25-A	KJ09B-E	DCX27#11
504M2-04WR/LF-B	E001					LP26	KG131-E	KJ10F	KF25-A	KJ09B-E	DCX27#11
504M3-05PZ	E797	D440	D674	H445	PZ01-A	LP26	KG131-E	KJ10F	KF25-A	KJ09B-E	DCX27#18
504M3-05	E797	D440	D674	H445	P230-3	LP26	KG131-E	KJ10F	KF25-A	KJ09B-E	DCX27#11
504M3-05CT	E797C	D440	D674	H445	P230-3	LP26	KG131-E	KJ10F	KF25-A	KJ09B-E	DCX27#11
504M3-05VT	E797	D440	D674	H445	P230-3	LP26	KG131-E	KJ10F	KF25-A	KJ09B-E	DCX27#11
504M5-04BK	E589F	D969	D675	H974	P975-3	LP26	KG131-E	KJ10F	KF25-A	KJ09B-E	DCX27#11
504M5-04BK/VT	E589F	D969	D675	H974	P975-3	LP26	KG131-E	KJ10F	KF25-A	KJ09B-E	DCX27#11
505F1-04	E784	D438	D674	H442	P152D-3	LP26	KG131-E	KJ10F	KF25-A	KJ09B-E	DCX27#9
505F1-04ES	E784	D438	D674	H442	P152D-3	LP26	KG131-E	KJ10F	KF25-A	KJ09B-E	DCX27#9
505F1-04VT	E784	D438	D674	H442	P152D-3	LP26	KG131-E	KJ10F	KF25-A	KJ09B-E	DCX27#9
504M3-04	E796	D440	D674	H445	P230-3	LP26	KG131-E	KJ10F	KF25-A	KJ09B-E	DCX27#11
505F1-04ES/VT	E784	D438	D674	H442	P152D-3	LP26	KG131-E	KJ10F	KF25-A	KJ09B-E	DCX27#9
504M2-04EC	E800C	D440	D095	H445	P253E-3	LP26	KG131-E	KJ10F	KF25-A	KJ09B-E	DCX27#11

737F

SIRUBA

GAGE PARTS LIST

Series

700F

Remark

Page

2 / 5

Date

2013/08/10

機 型 MODEL	針板 NEEDLE PLATE	送 具 FEED DOG	送 具 FEED DOG	押 具 PRESSER FOOT	勾 針 LOOPER	針留 NEEDLE CLAMP	束 子 COLLAR	衝 程 CRANK	衝 程 CRANK	針 號 NEEDLE	
737F	504M1-15VT	E934D	D438 D912	H442	P152D-5	LP26	KG131-E	KJ10F	KF25-A	KJ09B-E	DCX27#9
	504M2-04TR/EC	E011C	D011 D015	H445	P101-3	LP26	KG131-E	KJ10F	KF25-A	KJ09B-E	DCX27#11
	504F1-04	E784	D438 D674	H442	P152D-3	LP26	KG131-E	KJ10F	KF25-A	KJ09B-E	DCX27#9
	504F1-15	E471	D471 D472	H471	P471-A	LP26	KG131-E	KJ10F	KF25-A	KJ09B-E	DCX27#9
	512M1-25	E920	D440 D095	H445	P253E-4	LP36	KG142-E	KJ13F	KF26-A	KJ11B-E	DCX27#11*2
	512M1-25CT	E920C	D440 D095	H445	P253E-4	LP36	KG142-E	KJ13F	KF26-A	KJ11B-E	DCX27#11*2
	514H4-24GA	E919	D958 D095	H959	P136-A	LP26	KG142-E	KJ13F	KF26-A	KJ11B-E	DCX27#11*2
	514H4-24GA/CT	E919C	D958 D095	H959	P136-A	LP26	KG142-E	KJ13F	KF26-A	KJ11B-E	DCX27#11*2
	514H4-24GA/EC	E919C	D958 D095	H959	P136-A	LP26	KG142-E	KJ13F	KF26-A	KJ11B-E	DCX27#11*2
	514H4-24GA/P	E919	D958 D095	H959	P136P-A	LP26	KG142-E	KJ13F	KF26-A	KJ11B-E	DCX27#11*2
747F	514M2-24	E919	D440 D095	H445	P253E-4	LP26	KG142-E	KJ13F	KF26-A	KJ11B-E	DCX27#11*2
	514M2-24CT	E919C	D440 D095	H445	P253E-4	LP26	KG142-E	KJ13F	KF26-A	KJ11B-E	DCX27#11*2
	514M2-24EC	E919C	D440 D095	H445	P253E-4	LP26	KG142-E	KJ13F	KF26-A	KJ11B-E	DCX27#11*2
	514M2-24LF-B	E919	D440 D095	H445	P101-4	LP26	KG142-E	KJ13F	KF26-A	KJ11B-E	DCX27#11*2
	514M2-24LFC-2	E919	D440 D095	H445	P101-4	LP26	KG142-E	KJ13F	KF26-A	KJ11B-E	DCX27#11*2
	514M2-24LFC-2/EC	E919C	D440 D095	H445	P101-4	LP26	KG142-E	KJ13F	KF26-A	KJ11B-E	DCX27#11*2
	514M2-24TG	E919	D440 D095	H445	P254G-4	LP26	KG142-E	KJ13F	KF26-A	KJ11B-E	DCX27#11*2
	514M2-24TG/EC	E919C	D440 D095	H445	P254G-4	LP26	KG142-E	KJ13F	KF26-A	KJ11B-E	DCX27#11*2
	514M2-24VT	E919	D440 D095	H445	P253E-4	LP26	KG142-E	KJ13F	KF26-A	KJ11B-E	DCX27#11*2
	514M2-25TG	E920	D440 D095	H445	P253G-4	LP26	KG142-E	KJ13F	KF26-A	KJ11B-E	DCX27#11*2

SIRUBA

GAGE PARTS LIST

Series

700F

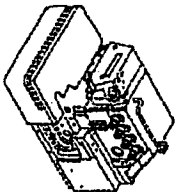
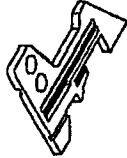




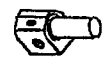



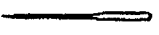
Remark

Page

3 / 5

Date

2013/09/10

機 型 MODEL	針板 NEEDLE PLATE	送 具 FEED DOG	送 具 FEED DOG	押 具 PRESSER FOOT	勾 針 LOOPER	針留 NEEDLE CLAMP	束 子 COLLAR	衝 程 CRANK	衝 程 CRANK	針 號 NEEDLE	
											
514M2-25	E920	D440	D095	H445	P253E-4	LP26	KG142-E	KJ13F	KF26-A	KJ11B-E	DCX27#11*2
514M2-25CT	E920C	D440	D095	H445	P253E-4	LP26	KG142-E	KJ13F	KF26-A	KJ11B-E	DCX27#11*2
514M2-28	E992	D440	D095	H445	P992-A	LP26	KG142-E	KJ13F	KF26-A	KJ11B-E	DCX27#11*2
514M4-23	E804	D440	D674	H445	P230-A	LP26	KG142-E	KJ13F	KF25-A	KJ11B-E	DCX27#11*2
514M4-23CT	E804C	D440	D674	H445	P230-A	LP26	KG142-E	KJ13F	KF25-A	KJ11B-E	DCX27#11*2
514M5-23BK	E591B	D969	D675	H974	P975-4	LP26	KG142-E	KJ13F	KF26-A	KJ11B-E	DCX27#11*2
514M7-23	E804A	D441	D674	H446	P230-A	LP38	KG142-E	KJ13F	KF26-A	KJ11B-E	DCX27#16*2
514M7-23CT	E804AC	D441	D674	H446	P230-A	LP38	KG142-E	KJ13F	KF26-A	KJ11B-E	DCX27#11*2
514M7-24	E919A	D441	D095	H446	P253E-4	LP38	KG142-E	KJ13F	KF26-A	KJ11B-E	DCX27#16*2
514M7-24CT	E919AC	D441	D095	H446	P253E-4	LP38	KG142-E	KJ13F	KF26-A	KJ11B-E	DCX27#16*2
514M7-24TG	E919A	D441	D095	H446	P254G-4	LP38	KG142-E	KJ13F	KF26-A	KJ11B-E	DCX27#16*2
514M7-25	E920A	D441	D095	H446	P253E-4	LP38	KG142-E	KJ13F	KF26-A	KJ11B-E	DCX27#16*2
514M7-25BK	E920B	D441B	D095	H446B	P253E-4	LP38	KG142-E	KJ13F	KF26-A	KJ11B-E	DCX27#16*2
514M7-25BK/AN	E920B	D441B	D095	H446B	P253E-4	LP38	KG142-E	KJ13F	KF26-A	KJ11B-E	DCX27#16*2
514M7-25AN	E920A	D441	D095	H446	P253E-4	LP38	KG142-E	KJ13F	KF26-A	KJ11B-E	DCX27#16*2
514M7-25CT	E920AC	D441	D095	H446	P253E-4	LP38	KG142-E	KJ13F	KF26-A	KJ11B-E	DCX27#16*2
514M7-25TG	E920A	D441	D095	H446	P254G-4	LP38	KG142-E	KJ13F	KF26-A	KJ11B-E	DCX27#16*2
514M7-25TG/AN	E920A	D441	D095	H446	P254G-4	LP38	KG142-E	KJ13F	KF26-A	KJ11B-E	DCX27#16*2
514F1-24	E990	D438	D674	H442	P152D-4	LP26	KG142-E	KJ13F	KF26-A	KJ11B-E	DCX27#11*2
514M5-23BK/VT	E591B	D675	D969	H974	P975-4	LP26	KG142-E	KJ13F	KF26-A	KJ11B-E	DCX27#11*2

747F

SIRUBA
GAGE PARTS LIST

700F

Series

Remark

Page

Date

4 / 5

2013/09/10

機 型 MODEL	針板 NEEDLE PLATE	送 具 FEED DOG	送 具 FEED DOG	押 具 PRESSER FOOT	勾 針 LOOPER	針留 NEEDLE CLAMP	束 子 COLLAR	衝 程 CRANK	衝 程 CRANK	針 號 NEEDLE	
747F 512M1-34	E832	D440	D095	H447	P253E-A	LP36	KG143-E	KJ13F	KF26-A	KJ11B-E	DCX27#14*2
401M1/TW	E110			H101	P767-A	LP26	KG153-E		KF26-A		DCX27#14*2
401M2-501A	E005	D005	D006	H005	P005-A		TA155-E		KF26-A		DCX27#14*2
401M2-501A/EC	E005C	D005	D006	H005	P005-A		TA155-E		KF26-A		DCX27#14*2
516H2-56	E868	D490	D502	H501	P502-A	LP38	KG155-E	KJ13F	KF26-A	KJ11B-E	DCX27#18*2
516H2-56CT	E868C	D490	D502	H501	P502-A	LP38	KG155-E	KJ13F	KF26-A	KJ11B-E	DCX27#18*2
516H4-35GA	E982	D008	D502	H957	P508-A	LP26	KG153-E	KJ10F	KF25-A	KJ09B-E	DCX27#14*2
516H4-35GA/EC	E982C	D008	D502	H957	P508-A	LP26	KG153-E	KJ10F	KF25-A	KJ09B-E	DCX27#14*2
516H4-35GA/P	E982	D008	D502	H957	P508P-A	LP26	KG153-E	KJ10F	KF25-A	KJ09B-E	DCX27#14*2
516H4-35GA/P/EC	E982C	D008	D502	H957	P508P-A	LP26	KG153-E	KJ10F	KF25-A	KJ09B-E	DCX27#14*2
516H4-55GA	E986	D956	D502	H957	P509-A	LP26	KG155-E	KJ10F	KF25-A	KJ09B-E	DCX27#14*2
516H4-55GA/EC	E986C	D956	D502	H957	P509-A	LP26	KG155-E	KJ10F	KF25-A	KJ09B-E	DCX27#14*2
516H4-55GA/P	E986	D956	D502	H957	P509P-A	LP26	KG155-E	KJ10F	KF25-A	KJ09B-E	DCX27#14*2
516H4-55GA/P/EC	E986C	D956	D502	H957	P509P-A	LP26	KG155-E	KJ10F	KF25-A	KJ09B-E	DCX27#14*2
516L1-24	E834	D487	D060	H492	P500-A	LP26	KG152-E	KJ10F	KF25-A	KJ09B-E	DCX27#14*2
516L1-24CT	E834C	D487	D060	H492	P500-A	LP26	KG152-E	KJ10F	KF25-A	KJ09B-E	DCX27#14*2
516L1-35	E839	D487	D060	H492	P504-A	LP26	KG153-E	KJ10F	KF25-A	KJ09B-E	DCX27#14*2
516L1-35CT	E839C	D487	D060	H492	P504-A	LP26	KG153-E	KJ10F	KF25-A	KJ09B-E	DCX27#14*2
516M2-35	E982	D489	D502	H497	P504-A	LP26	KG153-E	KJ10F	KF25-A	KJ11B-E	DCX27#14*2
516M2-35CT	E982C	D489	D502	H497	P504-A	LP26	KG153-E	KJ10F	KF25-A	KJ11B-E	DCX27#14*2

SIRUBA
GAGE PARTS LIST

Series
700F

Remark

Page

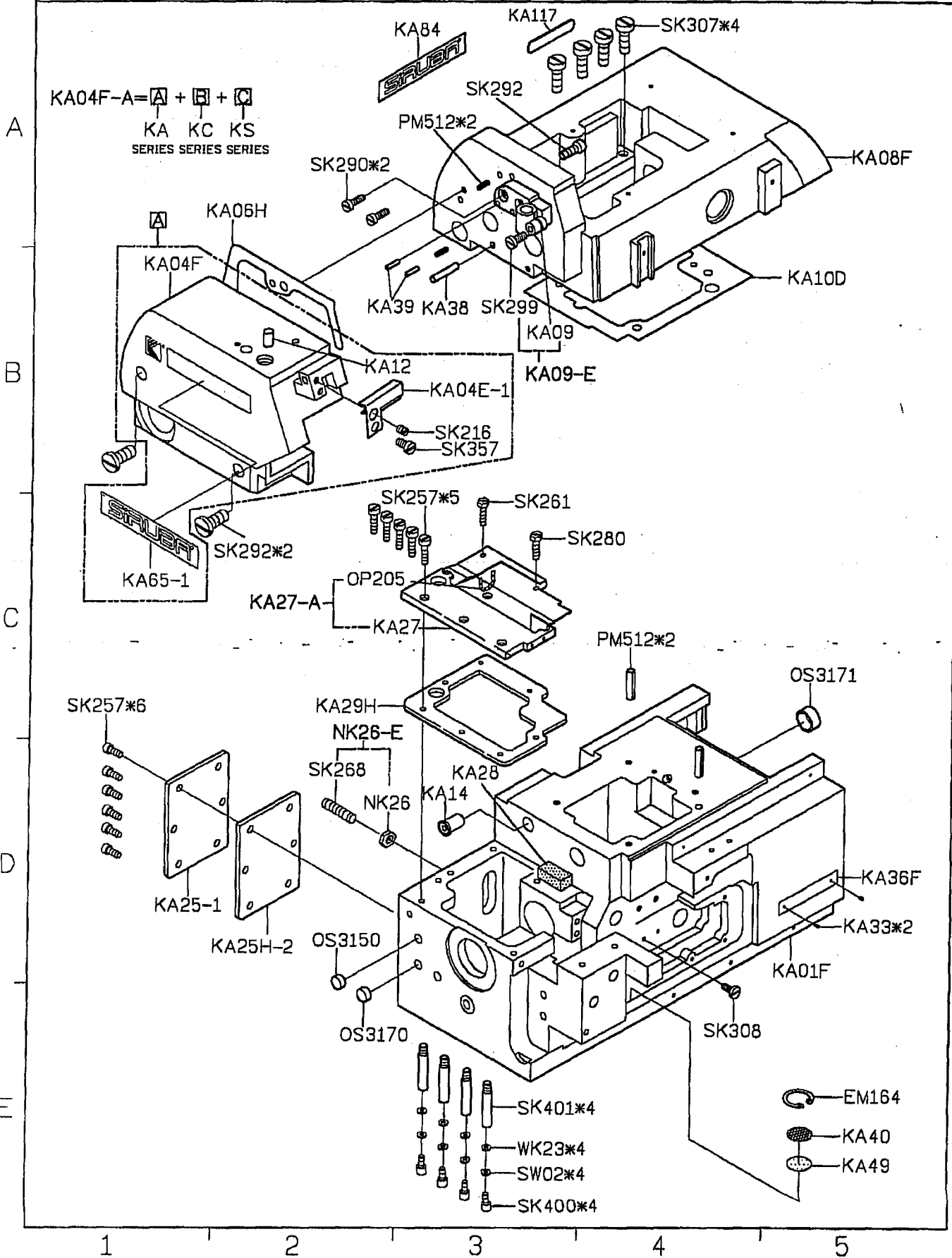
Date

5 / 5

2013/09/10

機 型 MODEL	針板 NEEDLE PLATE	送 具 FEED DOG	送 具 FEED DOG	押 具 PRESSER FOOT	勾 針 LOOPER	針留 NEEDLE CLAMP	束 子 COLLER	衝 程 CRANK	衝 程 CRANK	針 號 NEEDLE	
757F	516M2-35PS	E982S	D489 D502	H497	P504S-A	LP26	KG153-E	KJ10F	KF25-A	KJ11B-E	DCX27#14*2
	516M2-35PS/EC	E982SC	D489 D502	H497	P504S-A	LP26	KG153-E	KJ10F	KF25-A	KJ11B-E	DCX27#14*2
	516M2-55	E986	D489 D502	H500	P502-A	LP26	KG155-E	KJ10F	KF25-A	KJ11B-E	DCX27#14*2
	516M2-55CT	E986C	D489 D502	H500	P502-A	LP26	KG155-E	KJ10F	KF25-A	KJ11B-E	DCX27#14*2
	516M2-55PS	E986S	D489 D502	H497	P502S-A	LP26	KG155-E	KJ10F	KF25-A	KJ11B-E	DCX27#14*2
	516M2-55PS/EC	E986SC	D489 D502	H497	P502S-A	LP26	KG155-E	KJ10F	KF25-A	KJ11B-E	DCX27#14*2
	516X2-56	E870	D490 D502	H501	P960-A	LP38	KG155-E	KJ13F	KF26-A	KJ11B-E	DCX27#18*2
	516X2-56CT	E870C	D490 D502	H501	P960-A	LP38	KG155-E	KJ13F	KF26-A	KJ11B-E	DCX27#18*2
	516X3-56	E870	D490 D502	H501	P960-A	LP38	KG155A-E	KJ13F	KF26-A	KJ11B-E	TVX64#21*2
	516X3-56CT	E870C	D490 D502	H501	P960-A	LP38	KG155A-E	KJ13F	KF26-A	KJ11B-E	TVX64#21*2
	516M2-55/EC	E986C	D489 D502	H500	P502-A	LP26	KG155-E	KJ13F	KF25-A	KJ11B-E	DCX27#14*2
	401M1/TW/CT	E110C		H101	P767-A	LP26	KG153-E	KJ13F	KF25-A	KJ09B-E	DCX27#14*2
767F	516M2-324	E989	D971 D502	H497	P233-A	LP26	KG333-E	KJ13F	KF26-A	KJ11B-E	DCX27#11*3
	516M2-324/CT	E989C	D971 D502	H497	P233-A	LP26	KG333-E	KJ13F	KF26-A	KJ11B-E	DCX27#11*3
	516M2-524	E988	D972 D502	H500	P255-A	LP26	KG355-E	KJ13F	KF26-A	KJ11B-E	DCX27#11*3
	516M2-524CT	E988C	D972 D502	H500	P255-A	LP26	KG355-E	KJ13F	KF26-A	KJ11B-E	DCX27#11*3

SIRUBA PARTS LIST	Series 700F	Parts Group KA	Subclass / Remark	Page 1/1 Date 2013/08/10
----------------------	-----------------------	--------------------------	-------------------	-----------------------------------



SIRUBA

PARTS LIST

Series

700F

Parts Group

KB

Subclass / Remark

Page

1/1

Date

2013/08/10

MODEL	#3/#4	#5/#6
PARTS NO	KB01E	KB02E
	KB22F	KB23F
	KB01F-4	KB02F-5

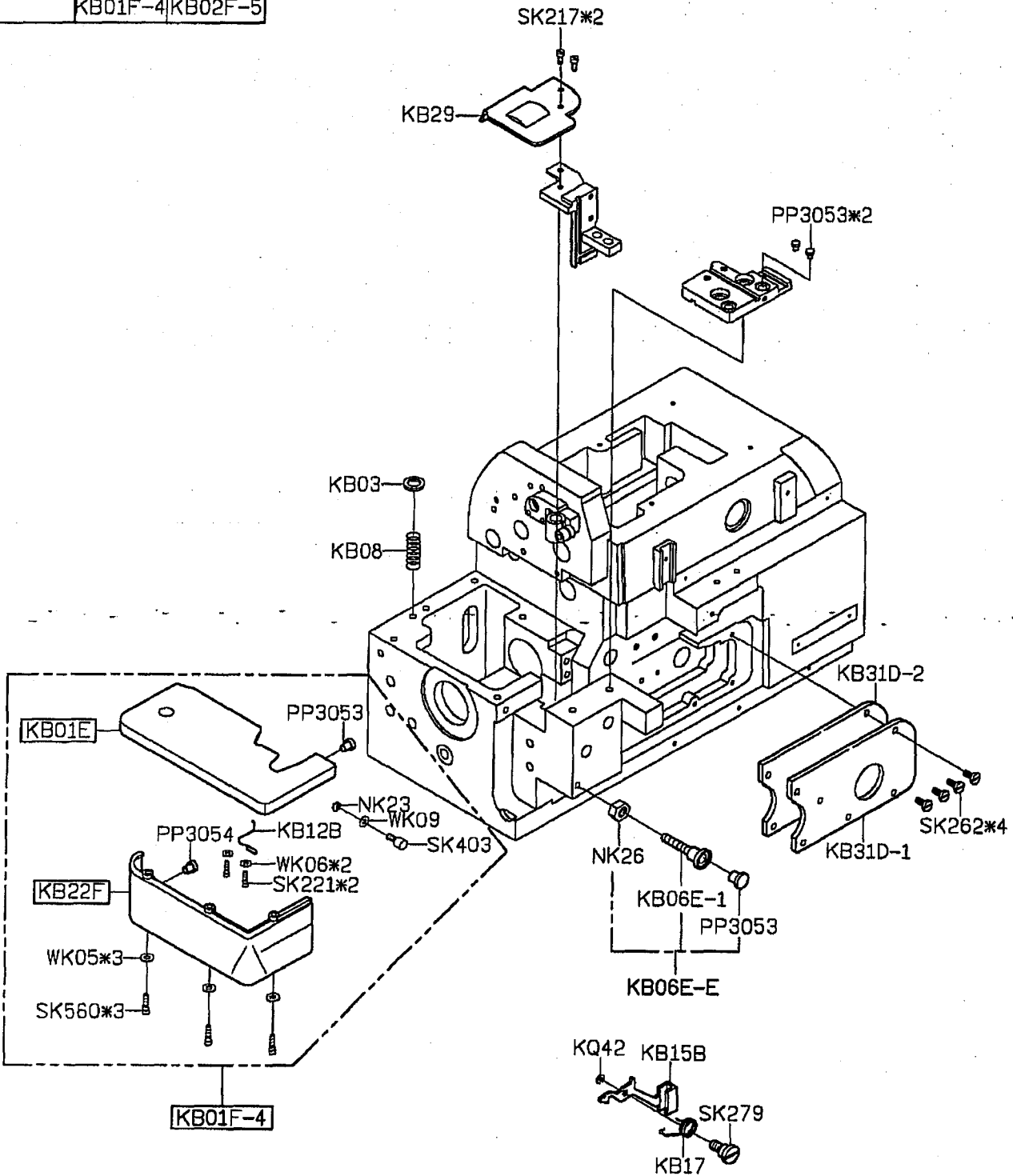
A

B

C

D

E



1

2

3

4

5

SIRUBA

PARTS LIST

Series

700F

Parts Group

KC

Subclass / Remark

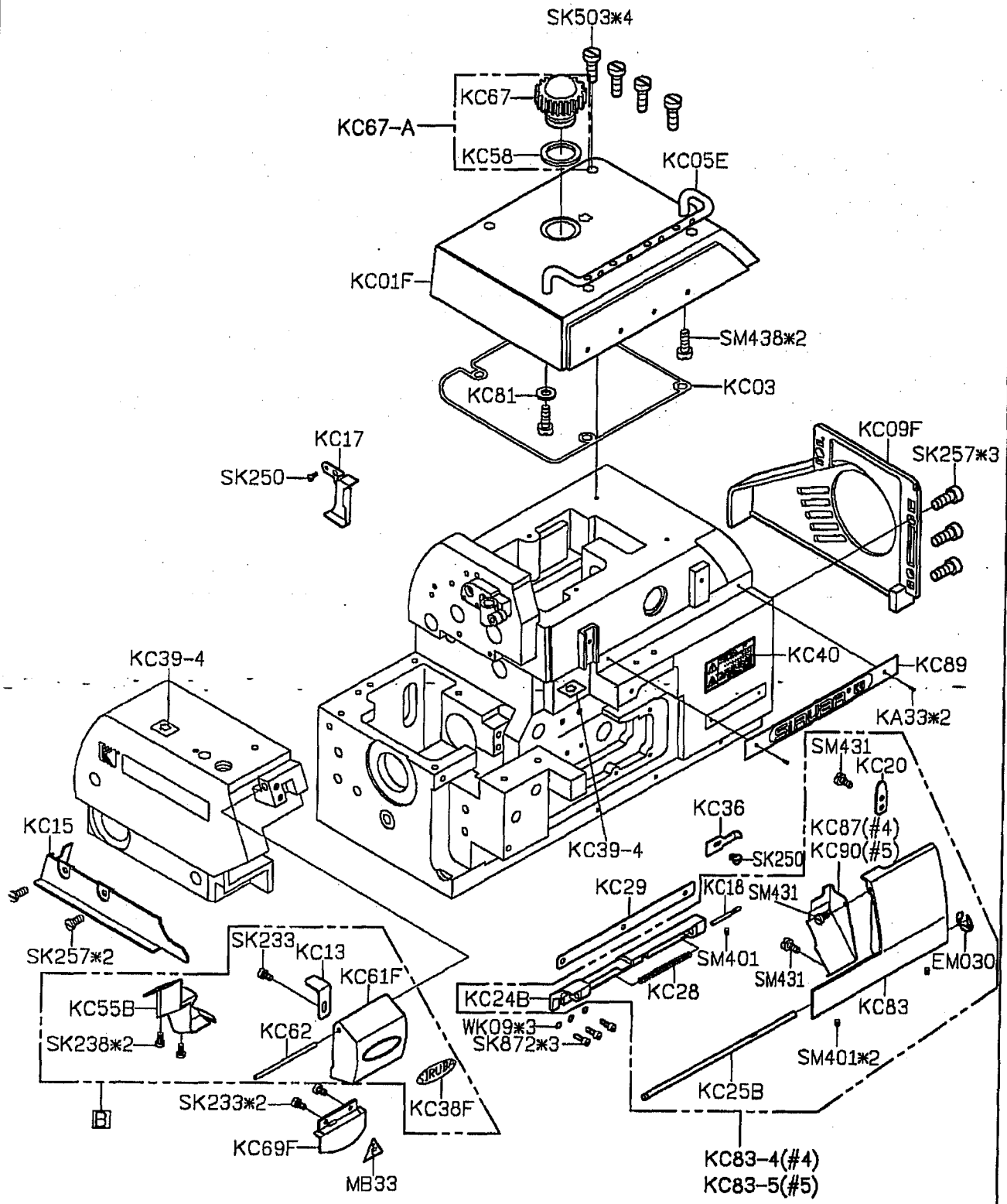
Page

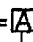
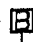

1/1

Date

2013/08/10

A
B
C
D
E



KA04F-A =  +  + 
KA KC KS
SERIES SERIES SERIES

1 2 3 4 5

SIRUBA

PARTS LIST

Series

700F

Parts Group

KD

Subclass / Remark

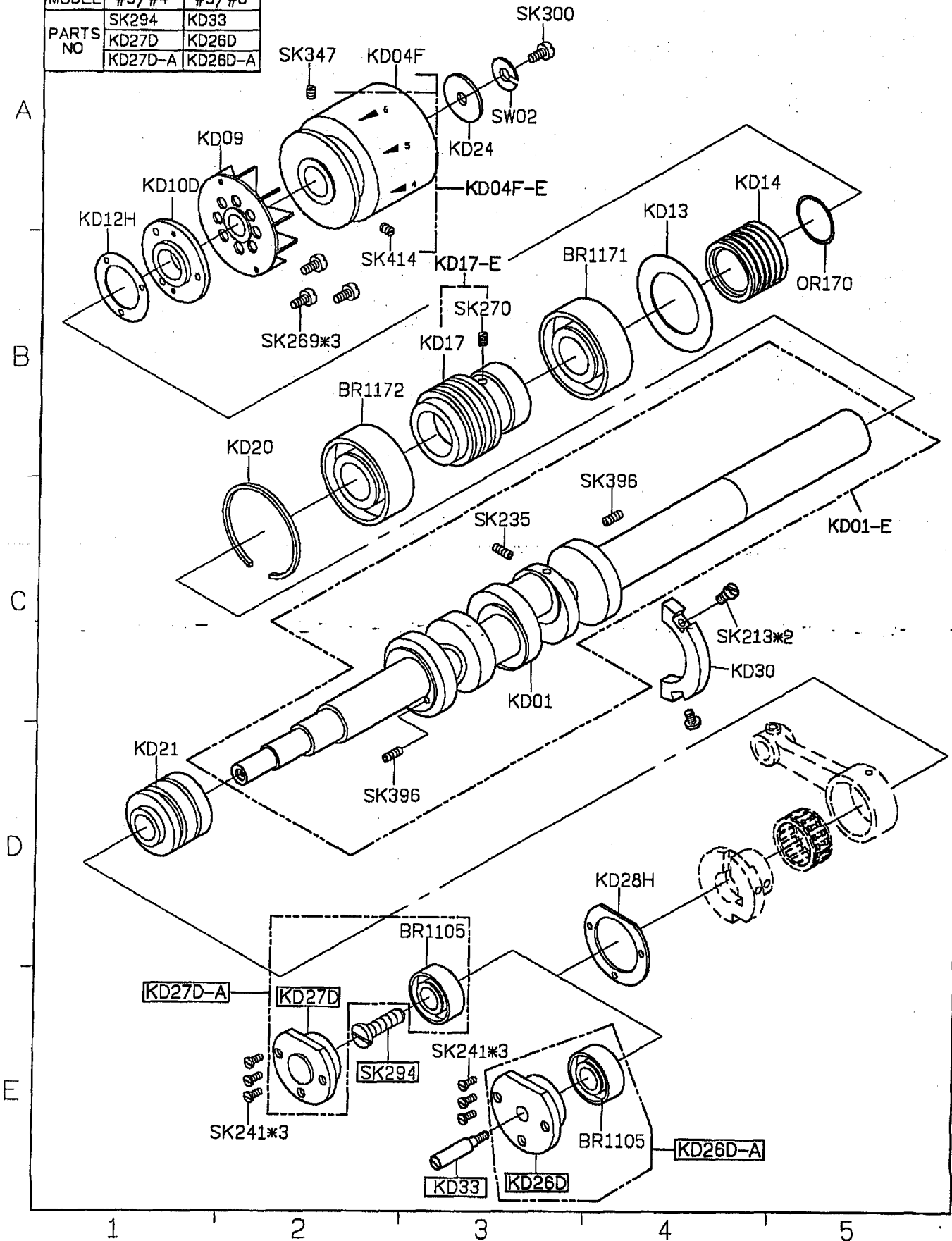
Page

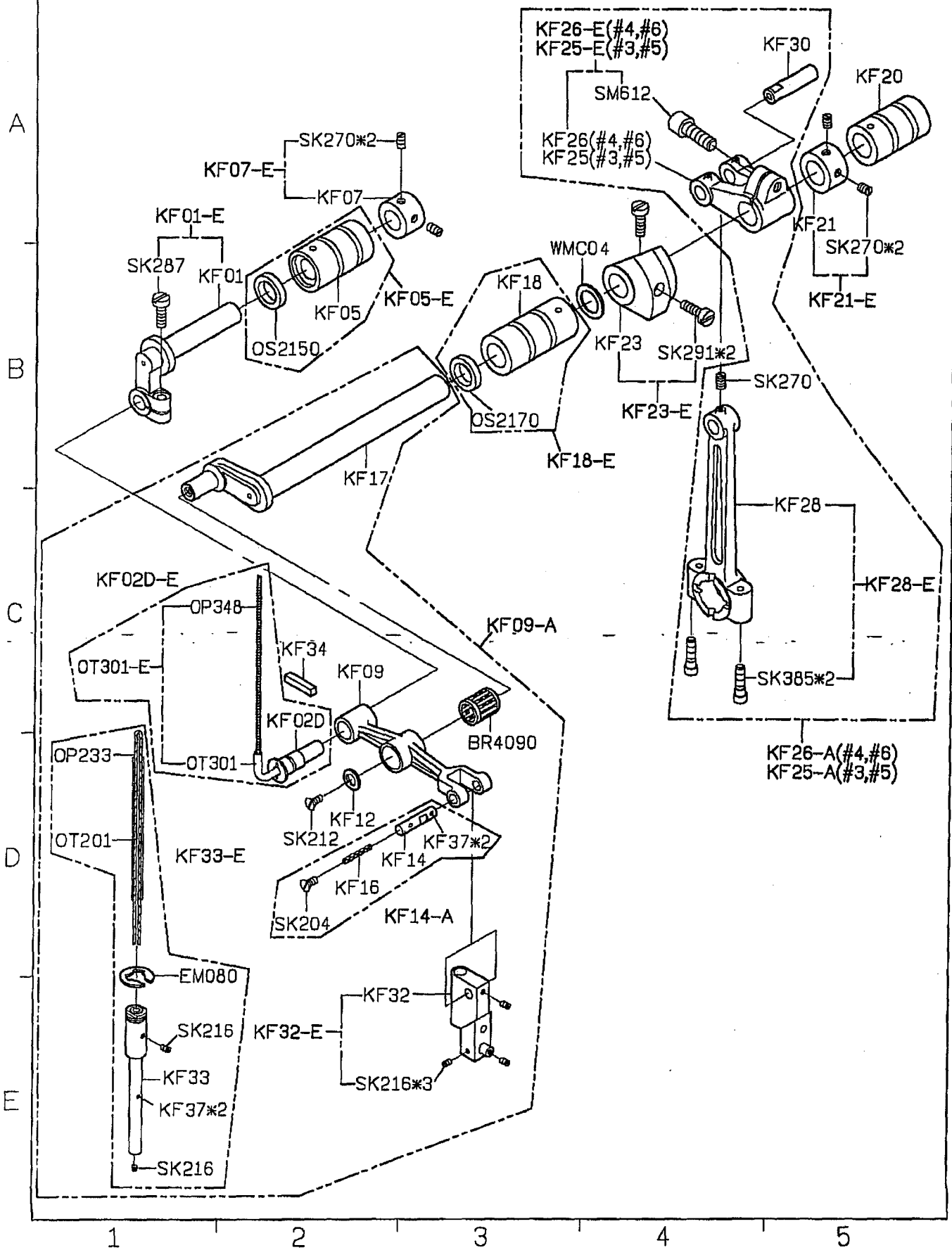
1/1

Date

2013/08/10

MODEL	#3/#4	#5/#6
PARTS NO	SK294	KD33
	KD27D	KD26D
	KD27D-A	KD26D-A





SIRUBA PARTS LIST	Series	Parts Group	Subclass / Remark	Page
	700F	KG		1/1
				Date
				2013/08/10

MODEL	#3	#4	#5	#6
	KG60F	KG60F	KG11F	KG11F
			KG25	KG25
PARTS NO	KG42	KG54	KG42	KG54
	KG471	KG472	KG35	KG35
			KG31D	KG32D
			KG37	KG37
			KG39	KG39

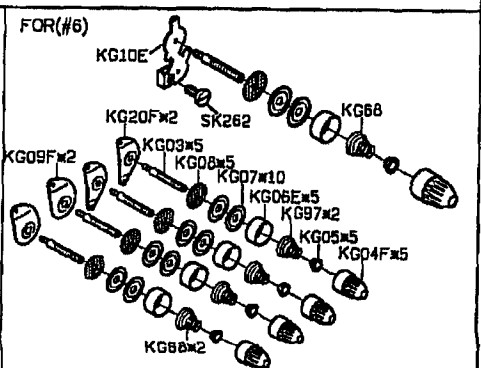
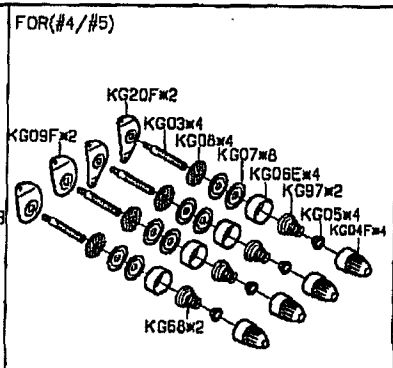
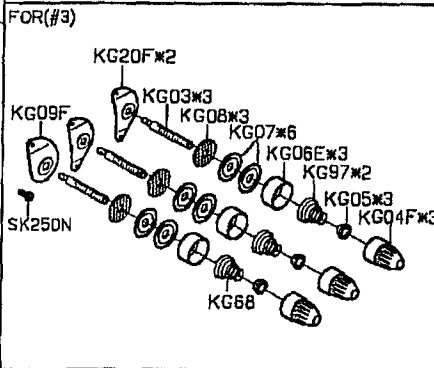
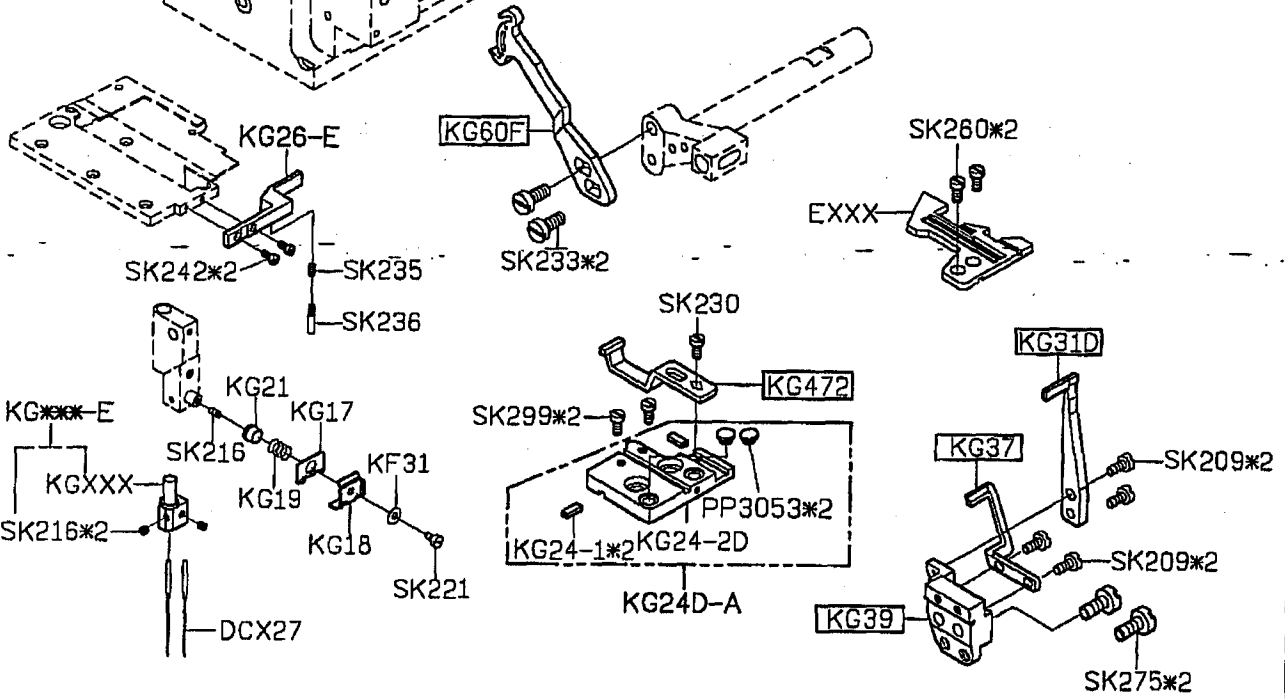
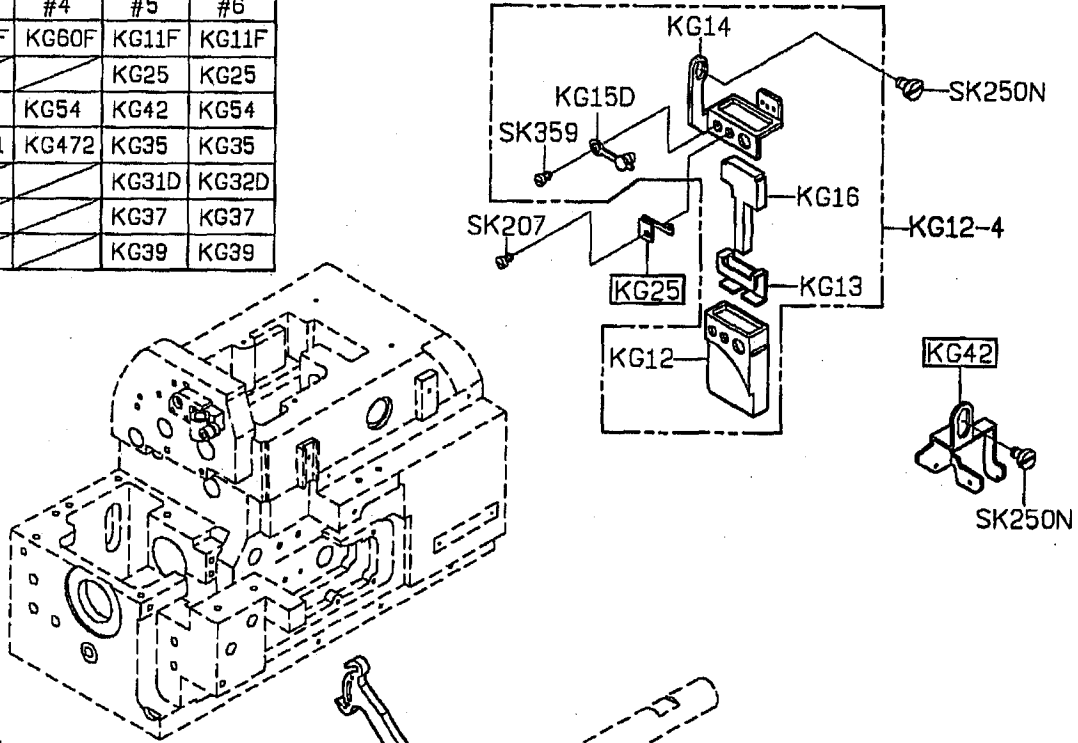
A

B

C

D

E



1

2

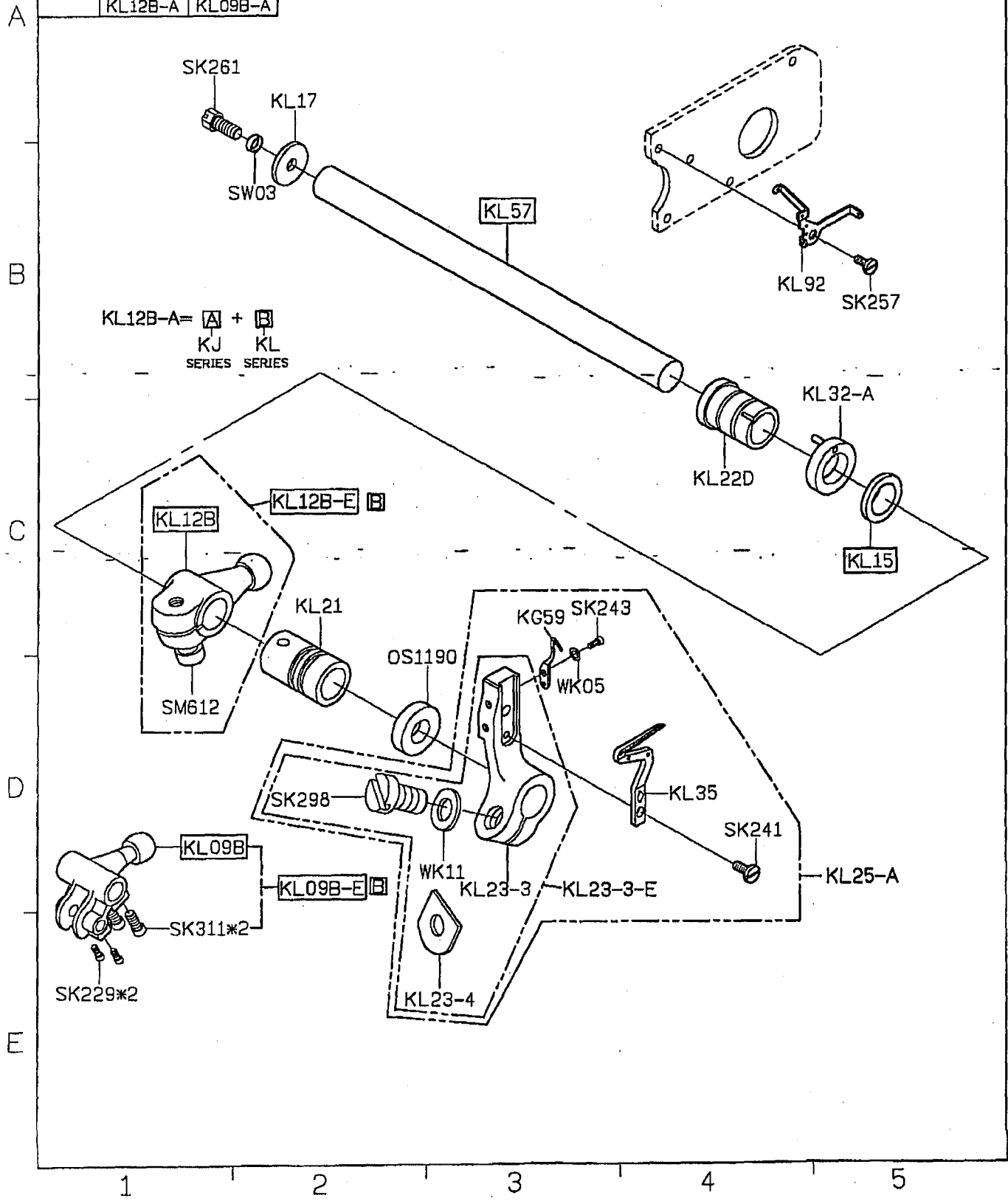
3

4

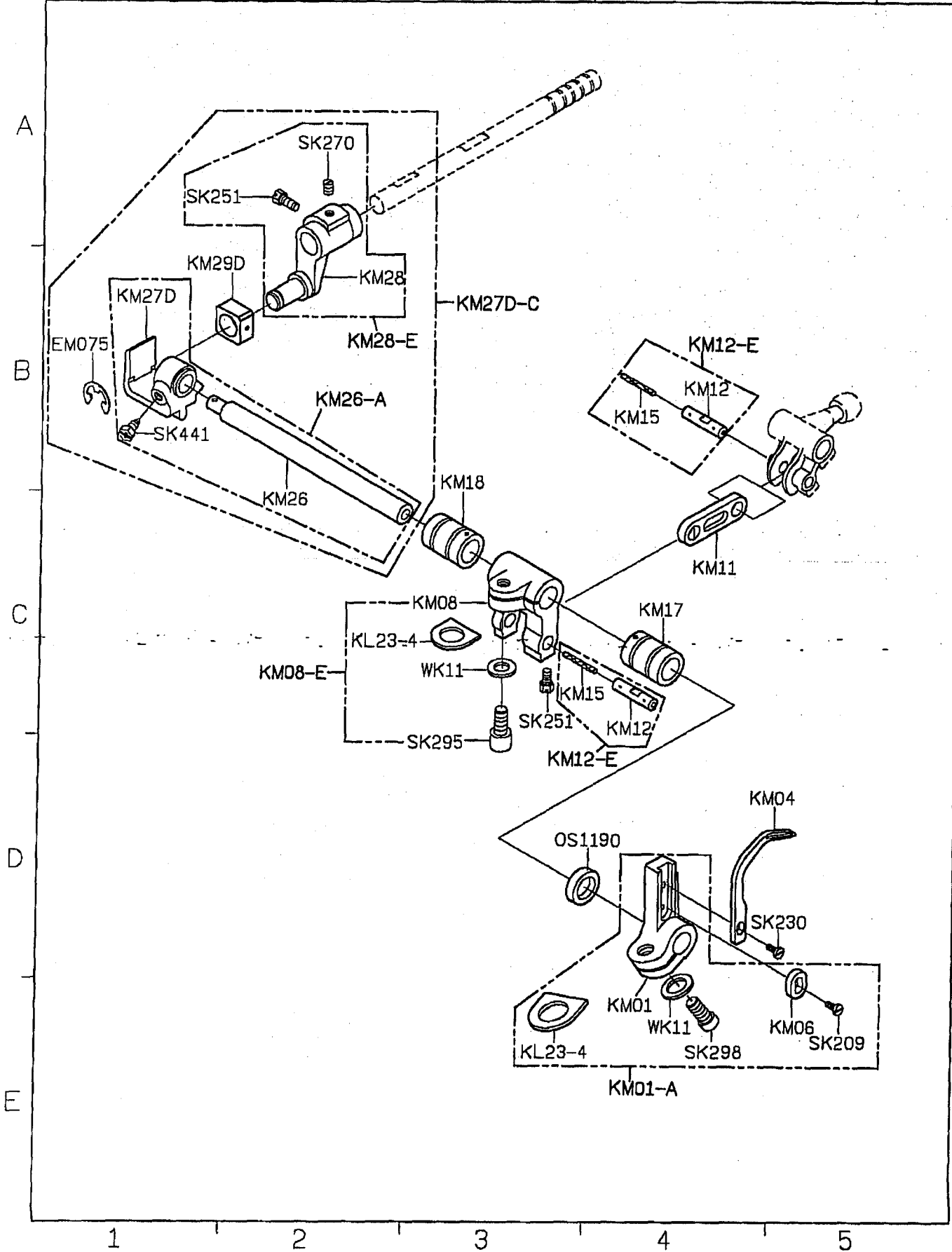
5

SIRUBA PARTS LIST	Series	Parts Group	Subclass / Remark	Page
	700F	KL		1/1
				Date
				2013/08/10

MODEL	#3/#4	#5/#6
PARTS NO	KL57	KL16
	KL15	KL11
	KL12B	KL09B
	KL12B-E	KL09B-E
	KL12B-A	KL09B-A



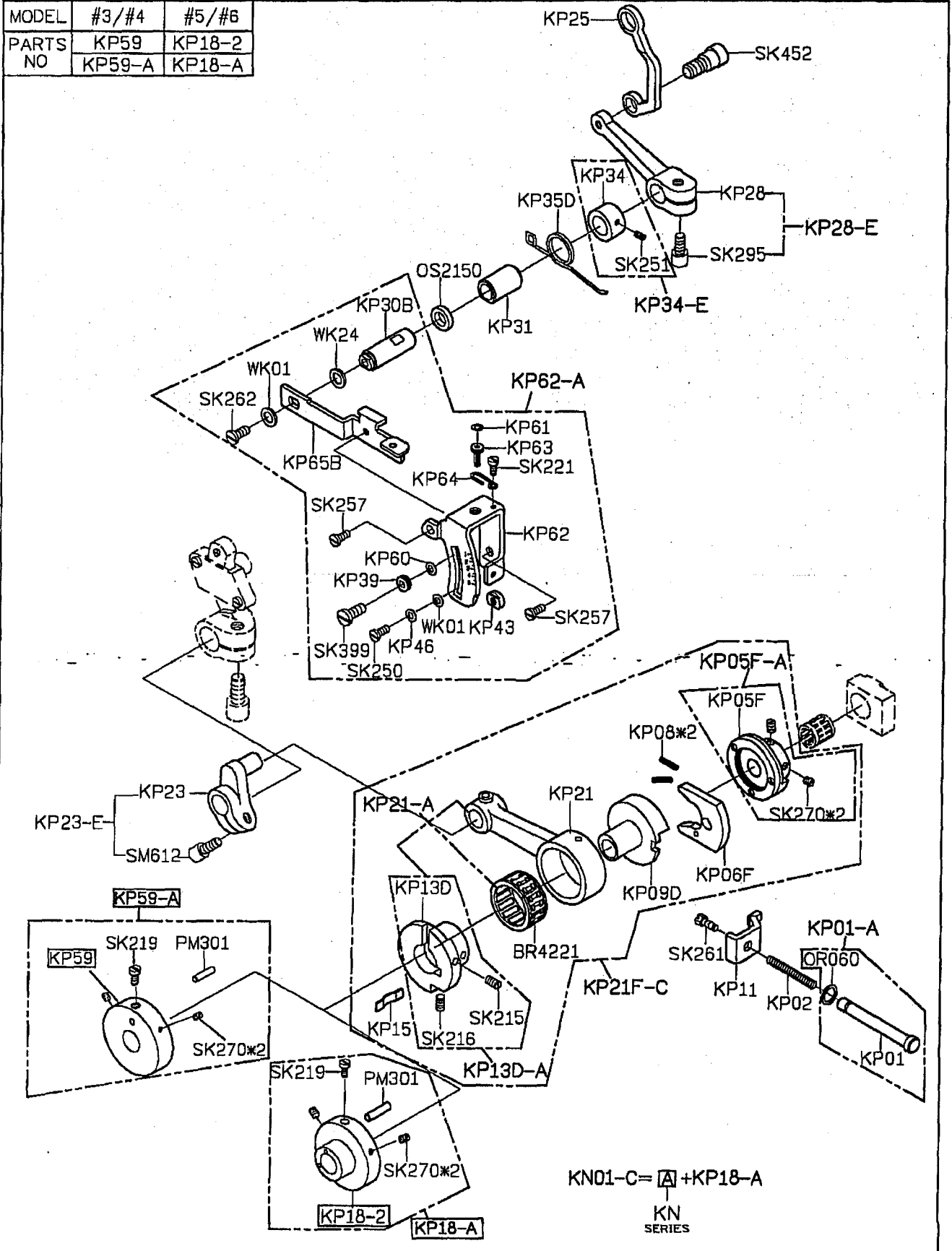
SIRUBA PARTS LIST	Series	Parts Group	Subclass / Remark	Page
	700F	KM		1/1
				Date
				2013/08/10



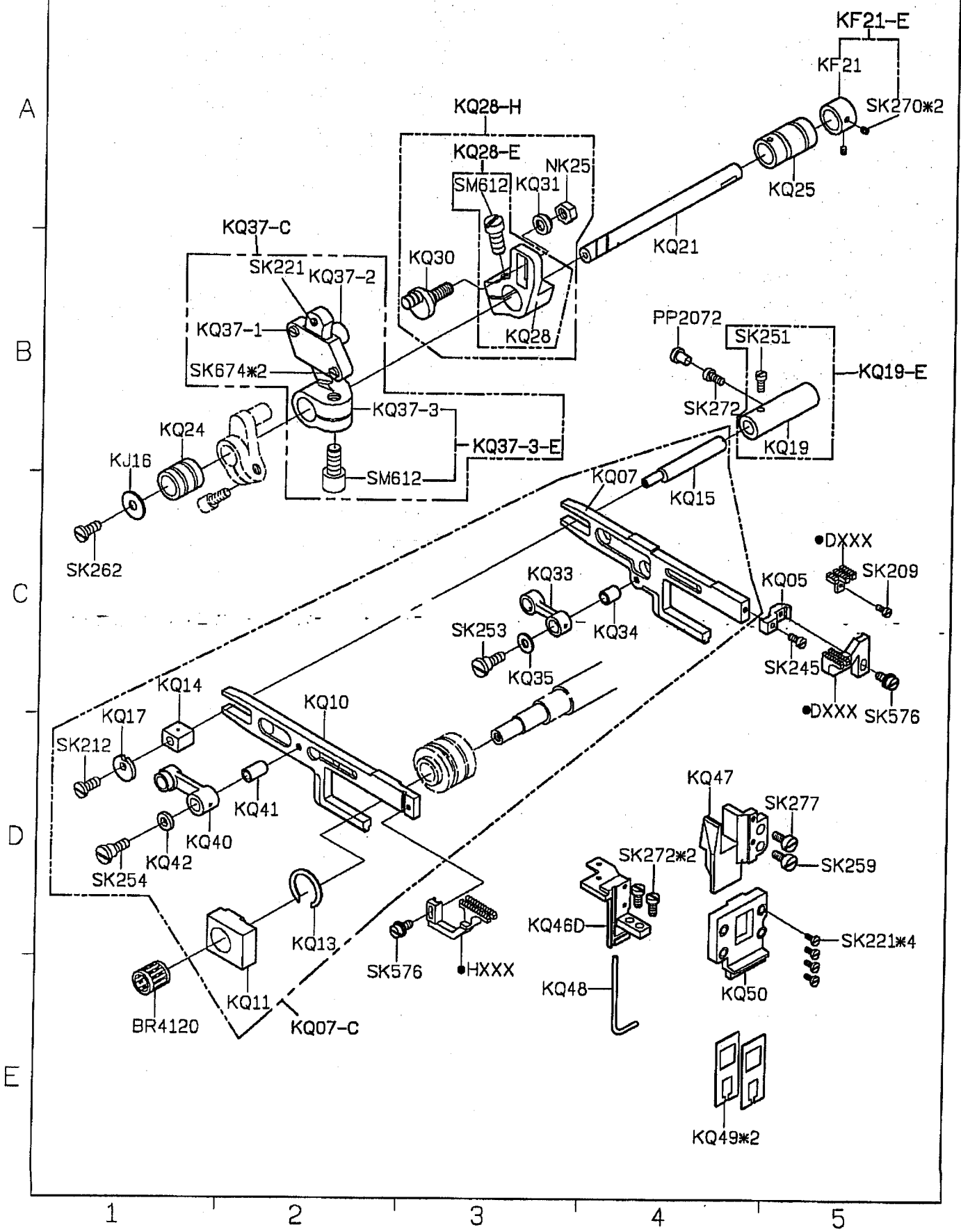
SIRUBA PARTS LIST	Series	Parts Group	Subclass / Remark	Page
	700F	KP		1/1
				Date 2013/08/10

MODEL	#3/#4	#5/#6
PARTS NO	KP59	KP18-2
	KP59-A	KP18-A

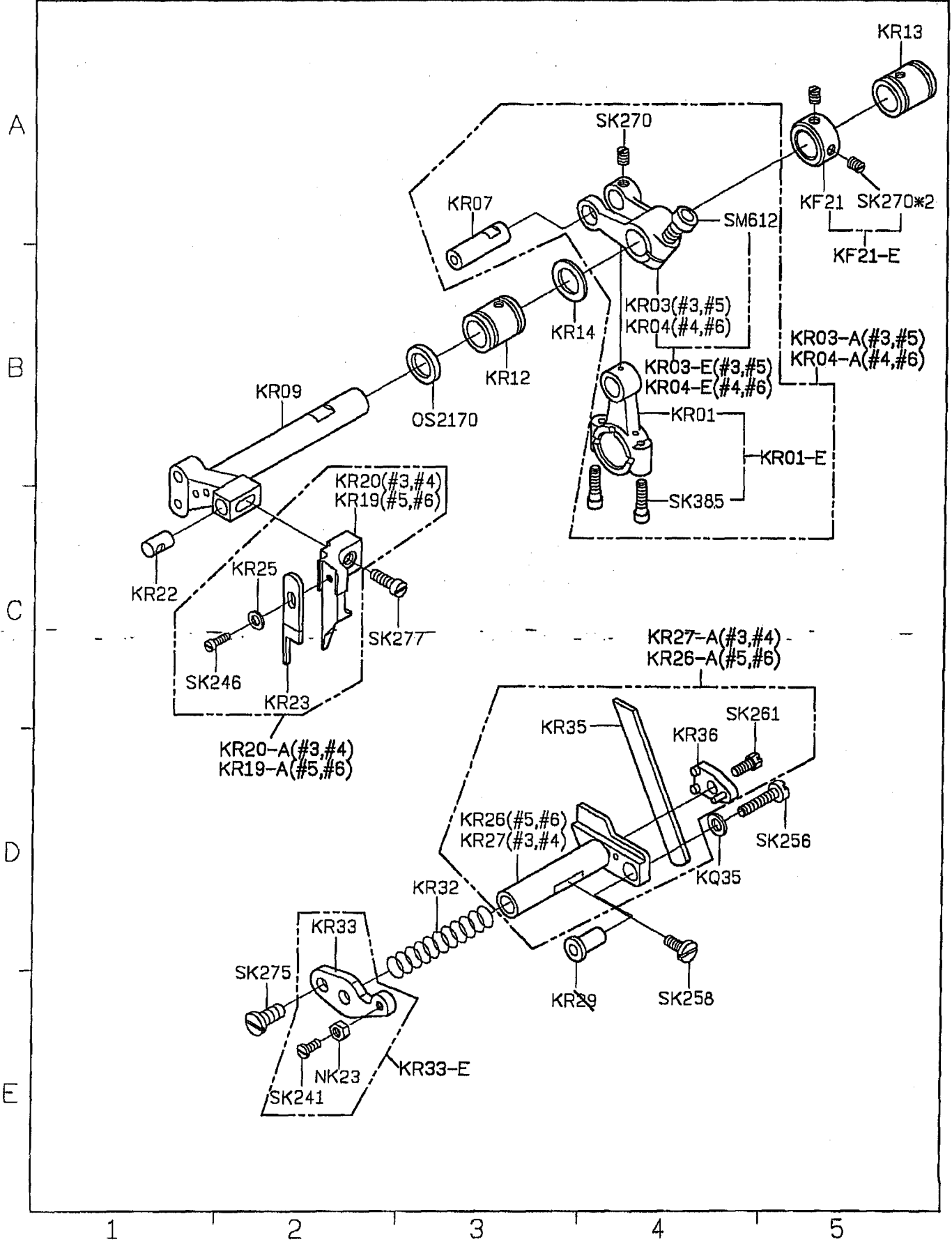
A
B
C
D
E



1 2 3 4 5



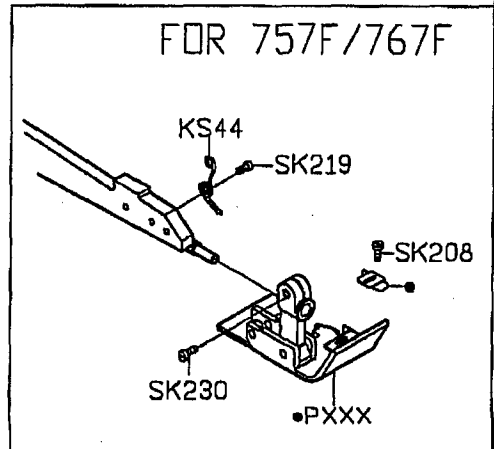
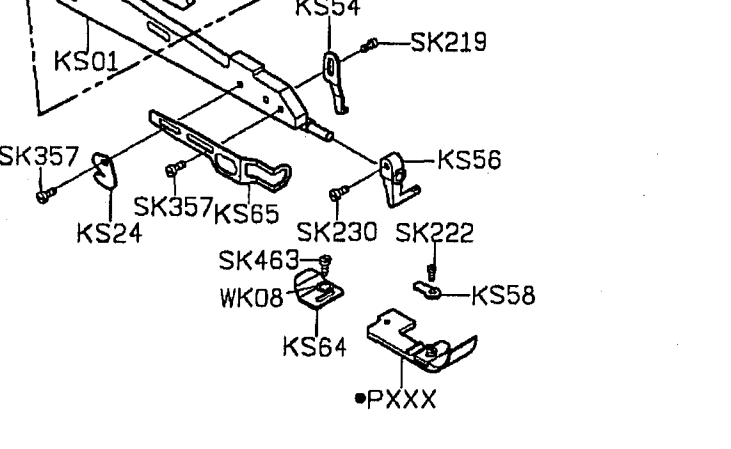
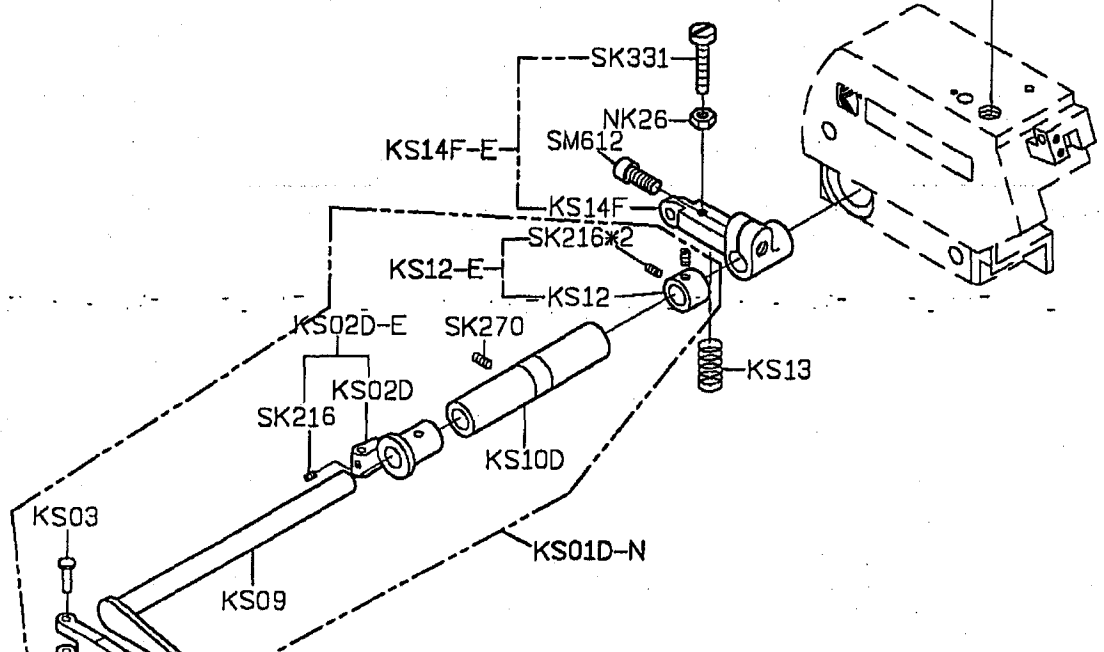
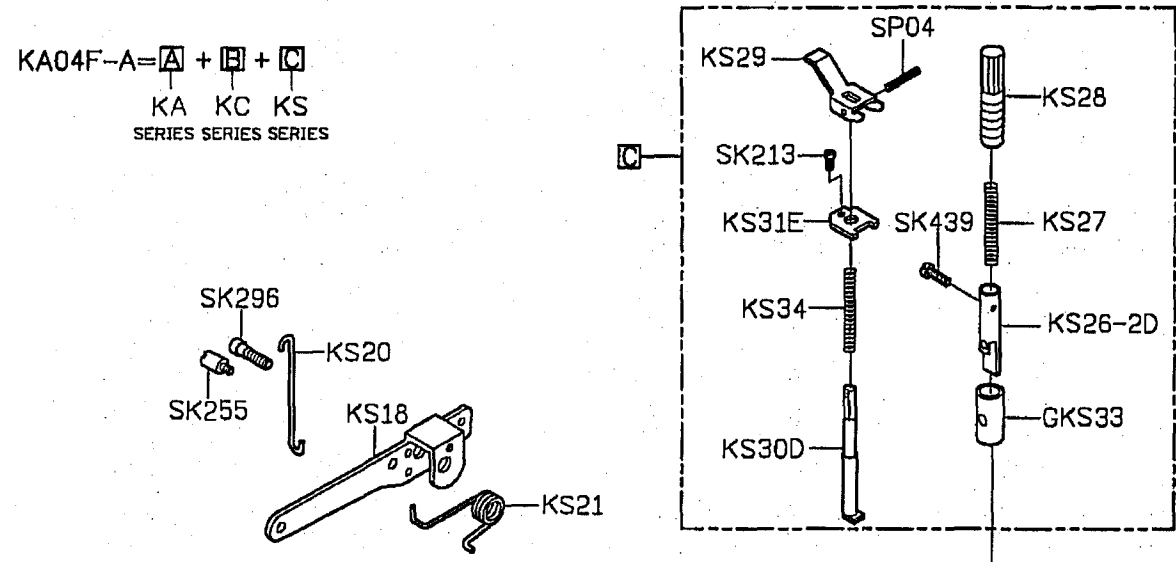
SIRUBA PARTS LIST	Series	Parts Group	Subclass / Remark	Page
	700F	KR		1/1
				Date
				2013/08/10



SIRUBA PARTS LIST	Series	Parts Group	Subclass / Remark	Page
	700F	KS		1/1
				Date
				2013/08/10

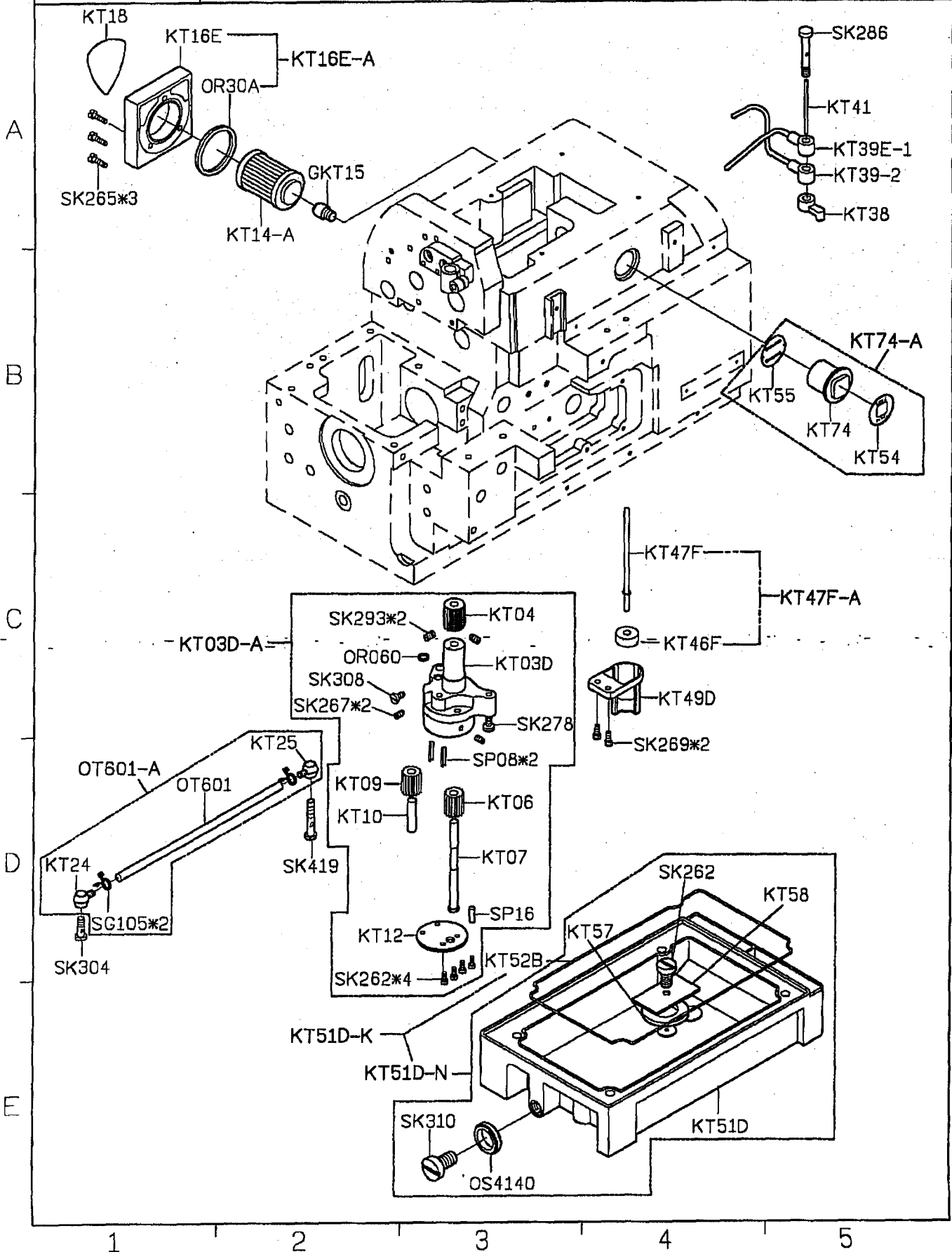
KA04F-A = \square + \square + \square
 KA KC KS
 SERIES SERIES SERIES

A
B
C
D
E



1 2 3 4 5

SIRUBA PARTS LIST	Series	Parts Group	Subclass / Remark	Page
	700F	KT		1/1
				Date 2013/08/10



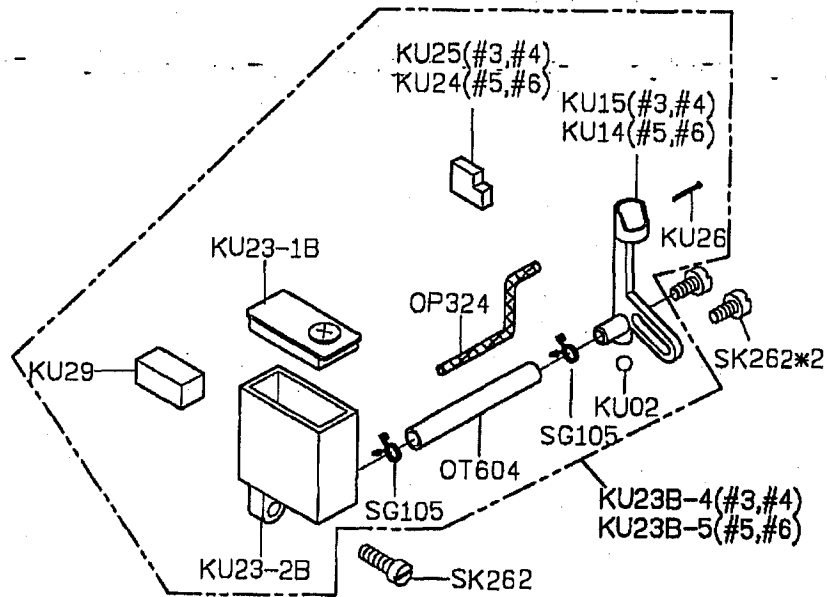
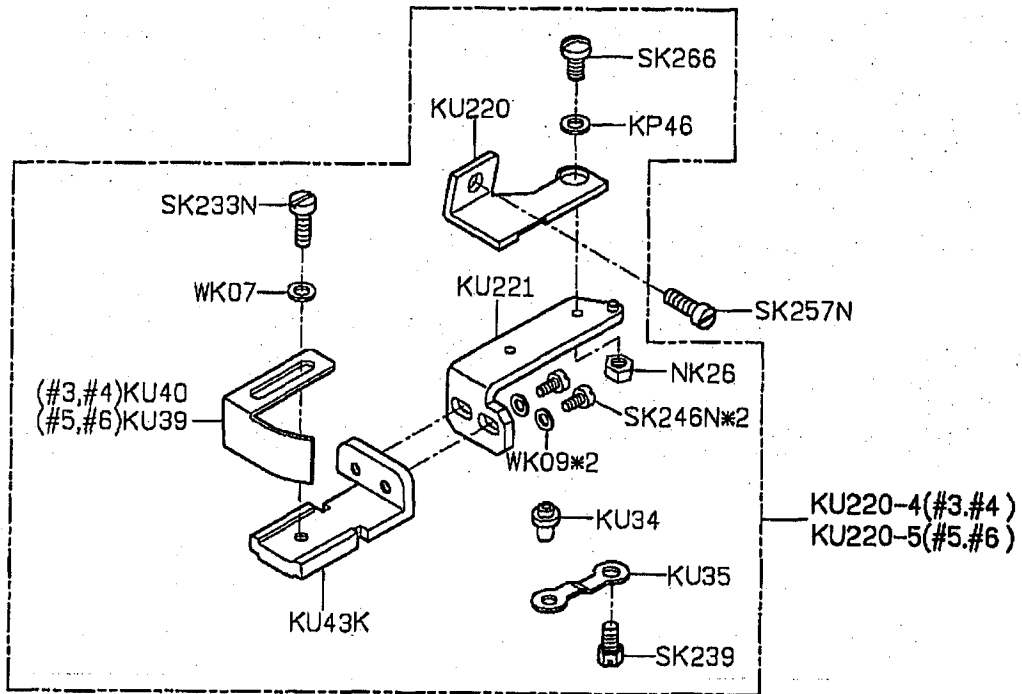
A

B

C

D

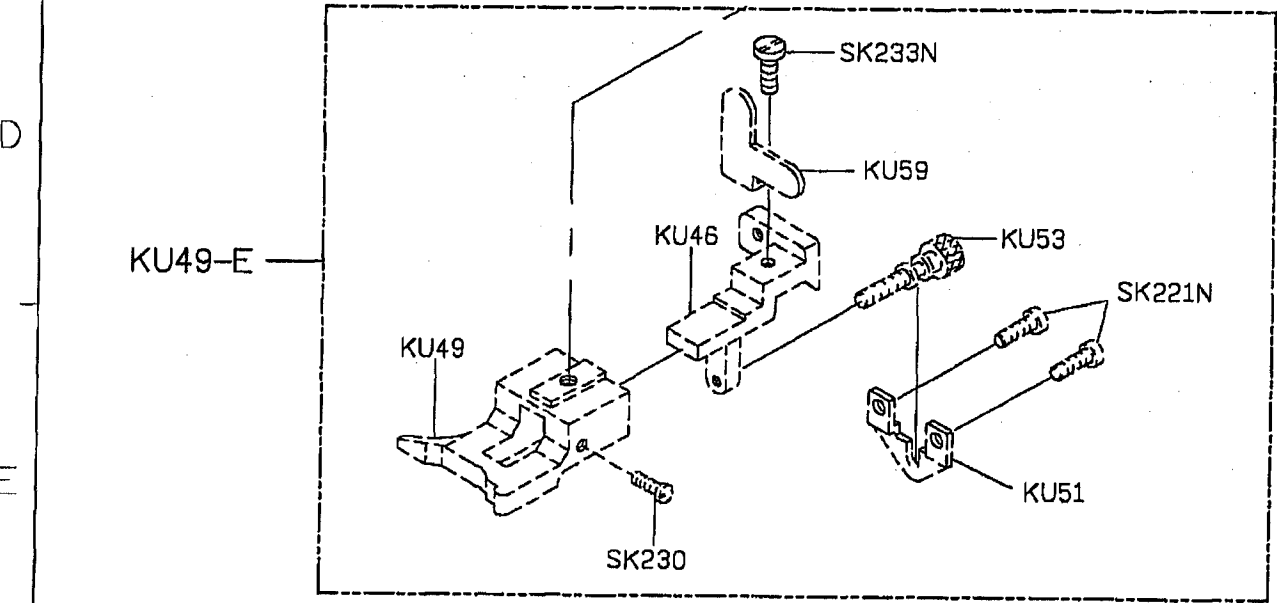
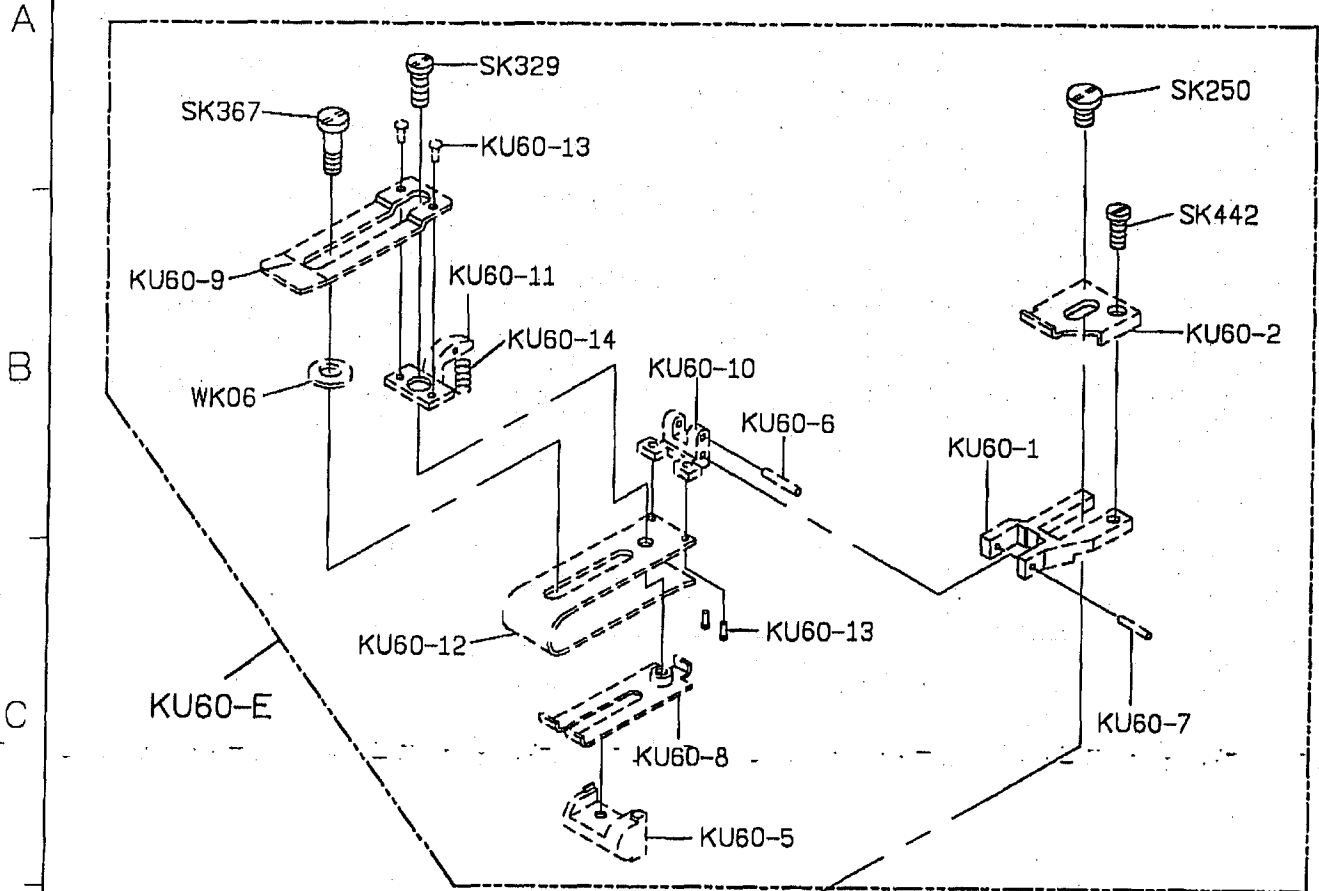
E



SIRUBA PARTS LIST	Series	Parts Group	Subclass / Remark	Page
	700F	KU		2/2
				Date
				2013/08/10

FOR 505F1 USE OTHERS OPTION

KU60-A=KU60-E+KU49-E

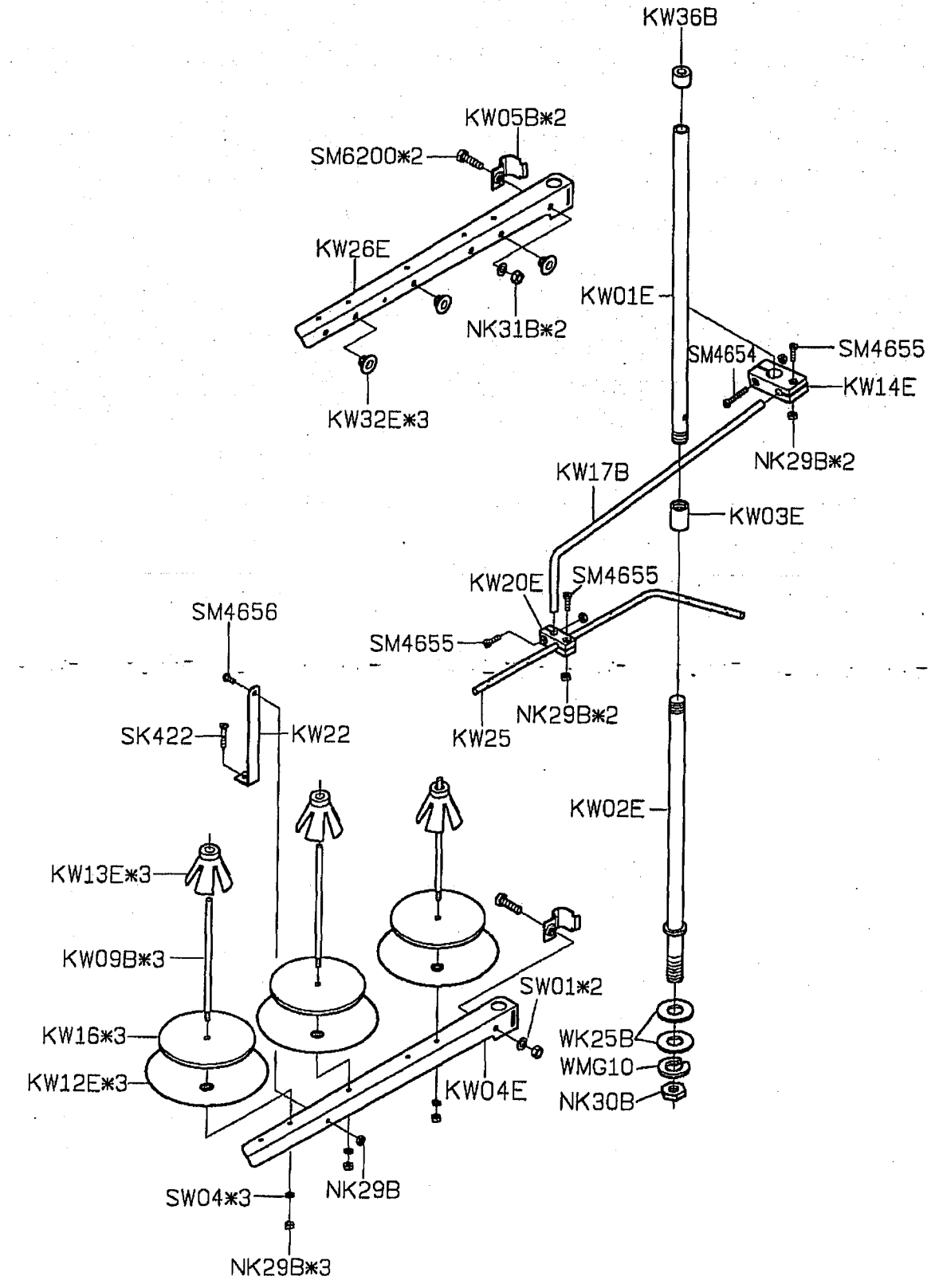


1 2 3 4 5

SIRUBA PARTS LIST	Series	Parts Group	Subclass / Remark	Page
	700F	KW		1/4
				Date
				2013/08/10

KW40E-3

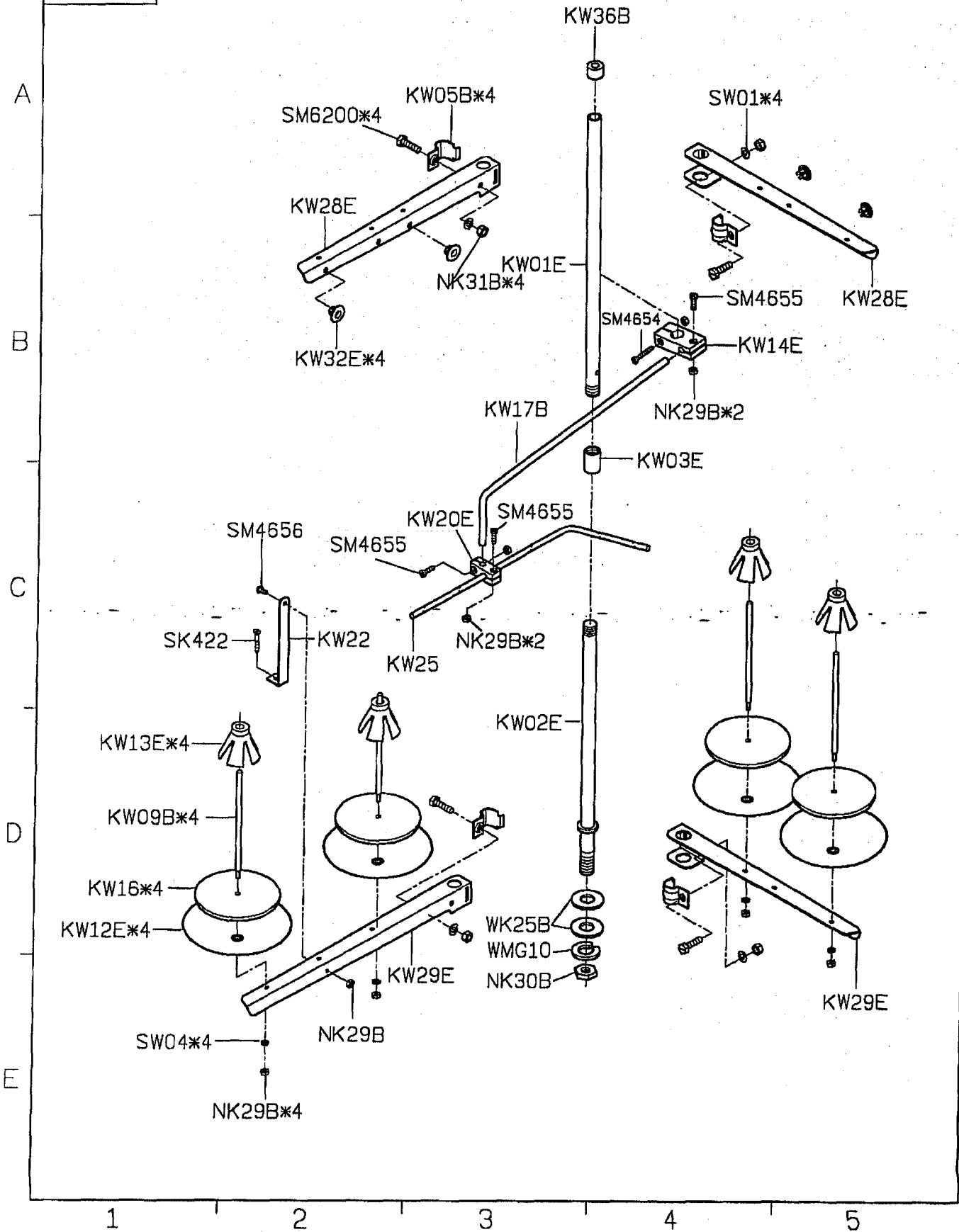
A
B
C
D
E



1 2 3 4 5

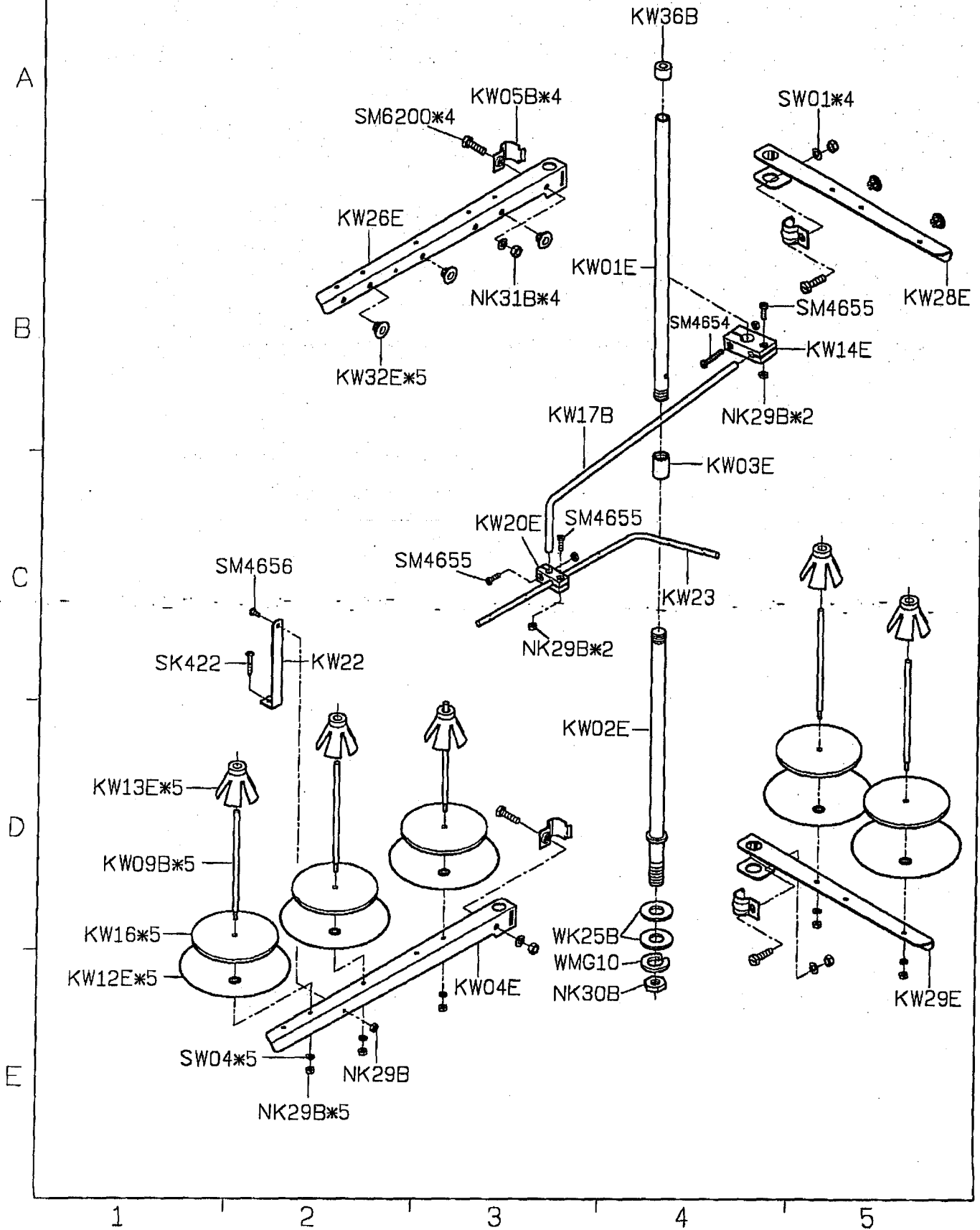
SIRUBA PARTS LIST	Series	Parts Group	Subclass / Remark	Page
	700F	KW		2/4
				Date
				2013/08/10

KW40E-4



SIRUBA PARTS LIST	Series	Parts Group	Subclass / Remark	Page
	700F	KW		3/4
				Date
				2013/08/10

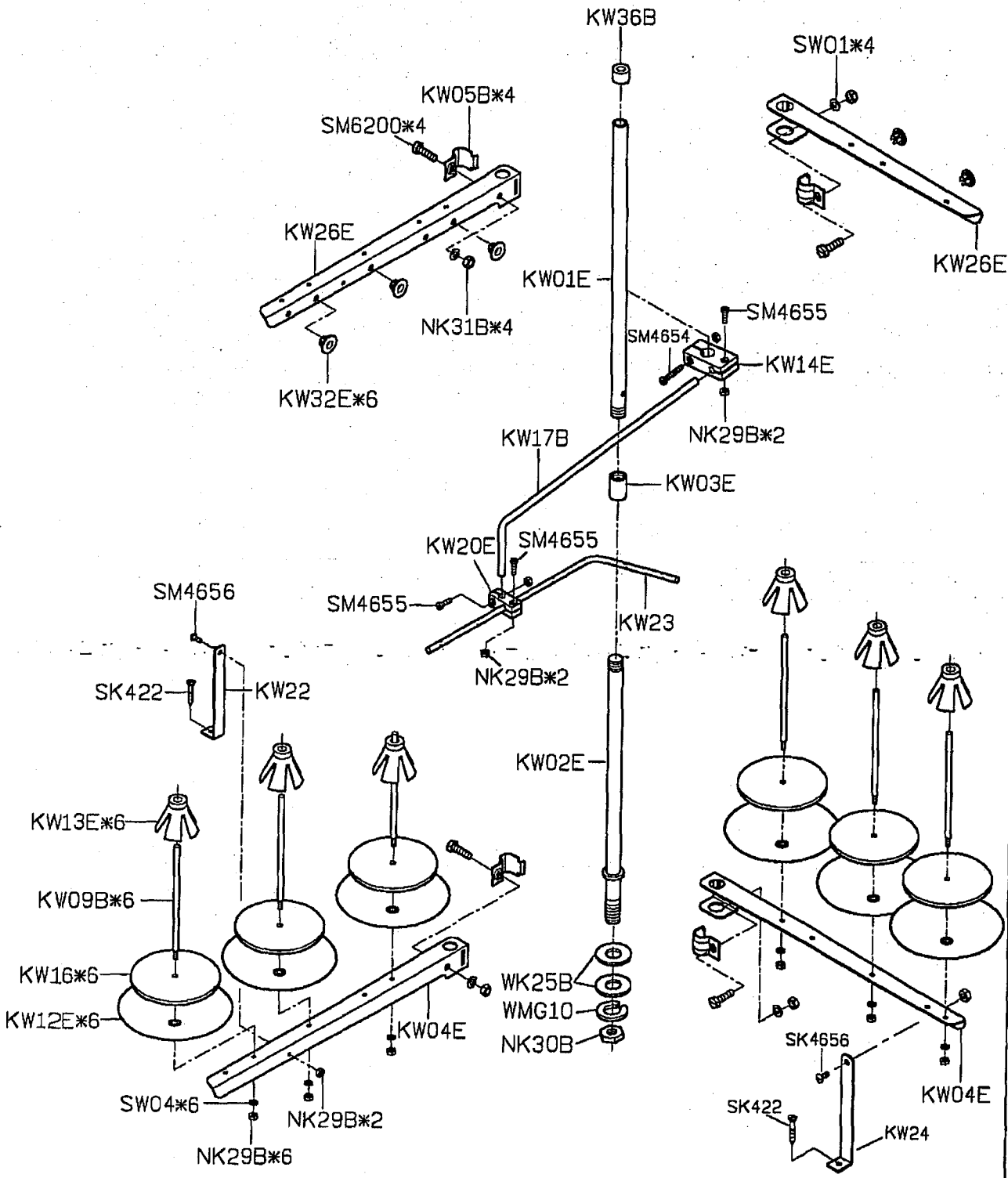
KW40E-5



SIRUBA PARTS LIST	Series	Parts Group	Subclass / Remark	Page
	700F	KW		4/4
				Date
				2013/08/10

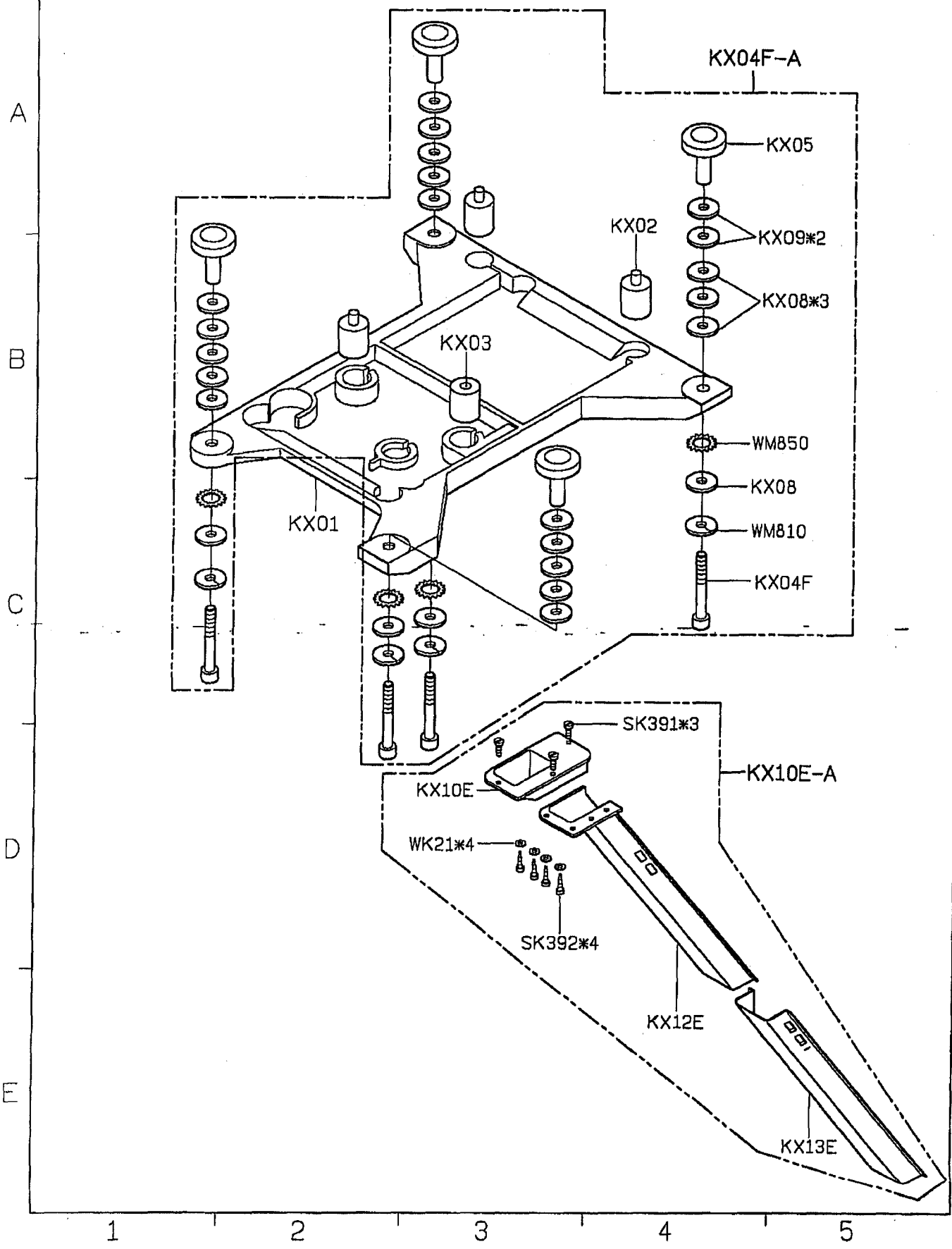
KW40E-6

A
B
C
D
E

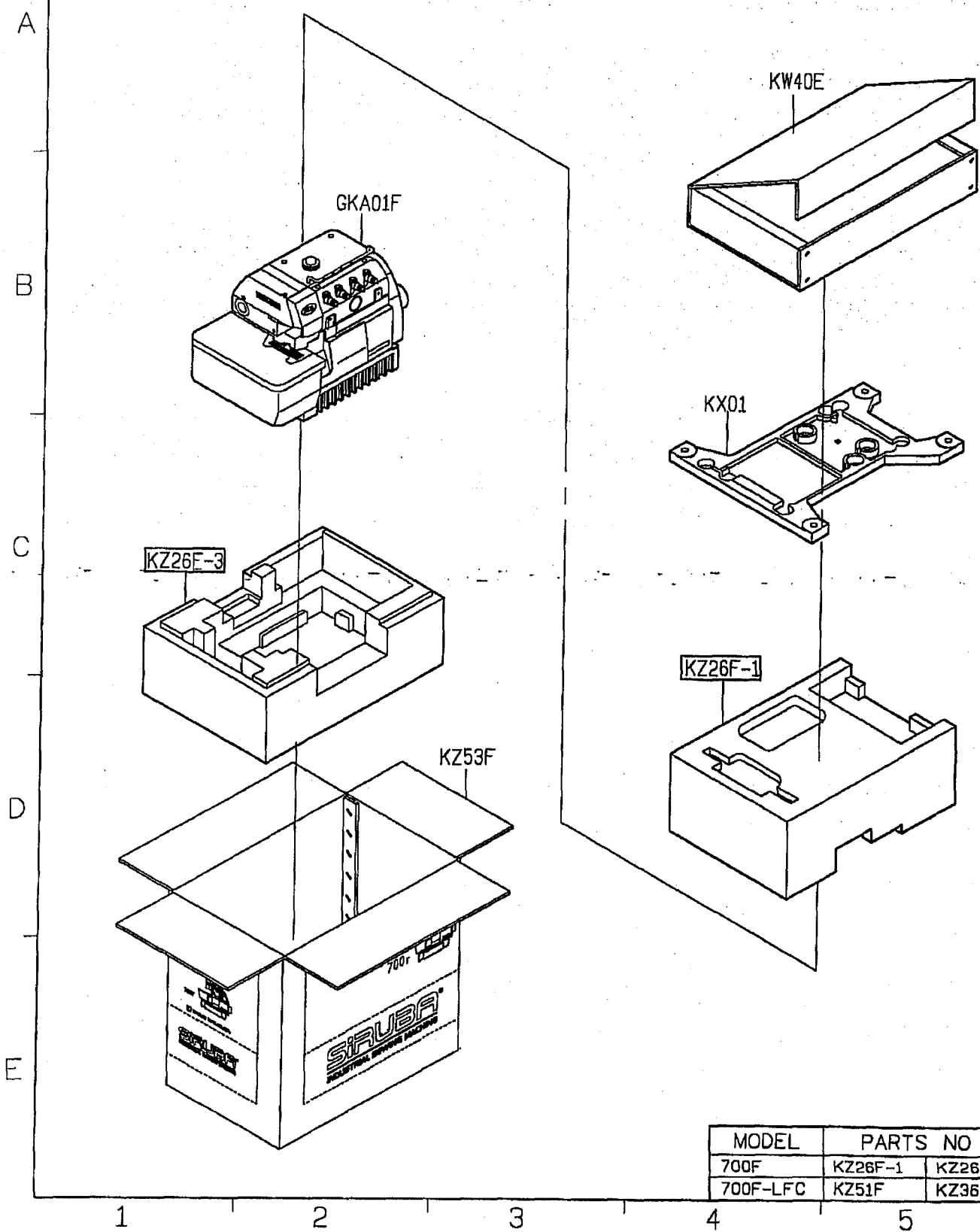


1 2 3 4 5

SIRUBA PARTS LIST	Series	Parts Group	Subclass / Remark	Page
	700F	KX		1/1
				Date
				2013/08/10

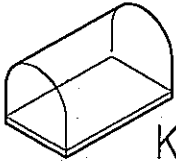


SIRUBA PARTS LIST	Series	Parts Group	Subclass / Remark	Page
	700F	KZ		1/1
				Date
				2013/08/10

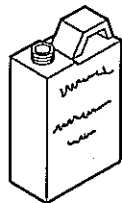


MODEL	PARTS NO	
700F	KZ26F-1	KZ26F-3
700F-LFC	KZ51F	KZ36E

KY01
防塵罩



KY02-A
油罐



KY03
油壺



KY04
漏斗

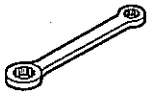


KY05
油壺

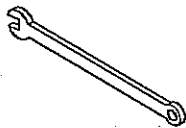


KY23-A

KY23
內六角板手



KY09
開口板手



KY10
六角板手



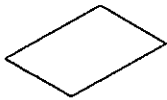
KY11
六角板手



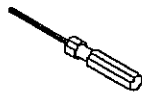
KY12
六角板手



KY30
針板紙



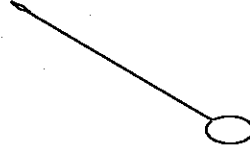
KY14
內六角螺絲起子



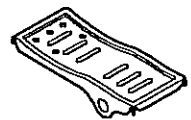
KY18
鑷子



KY19
穿線器



KY20D-A
腳踏板



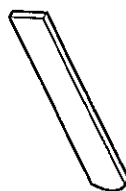
KY21-A/MY21
鉤子/鍊條



KY201
工具袋



KR35
下刀片



KT14-A
濾油器



KZ03
乾燥劑



SK216
螺絲



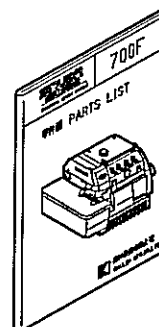
MY11
六角板手



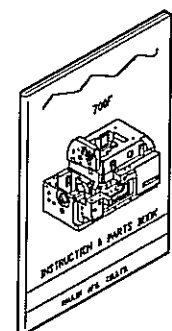
針*4



KZ08F
零件圖

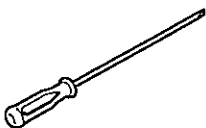


KZ08F-2
使用說明書



LY33-A

LY33
一字起子



LY34
一字起子



SIRUBA

PARTS LIST

Series

700F

Parts Group

AN-F

Subclass / Remark

Page

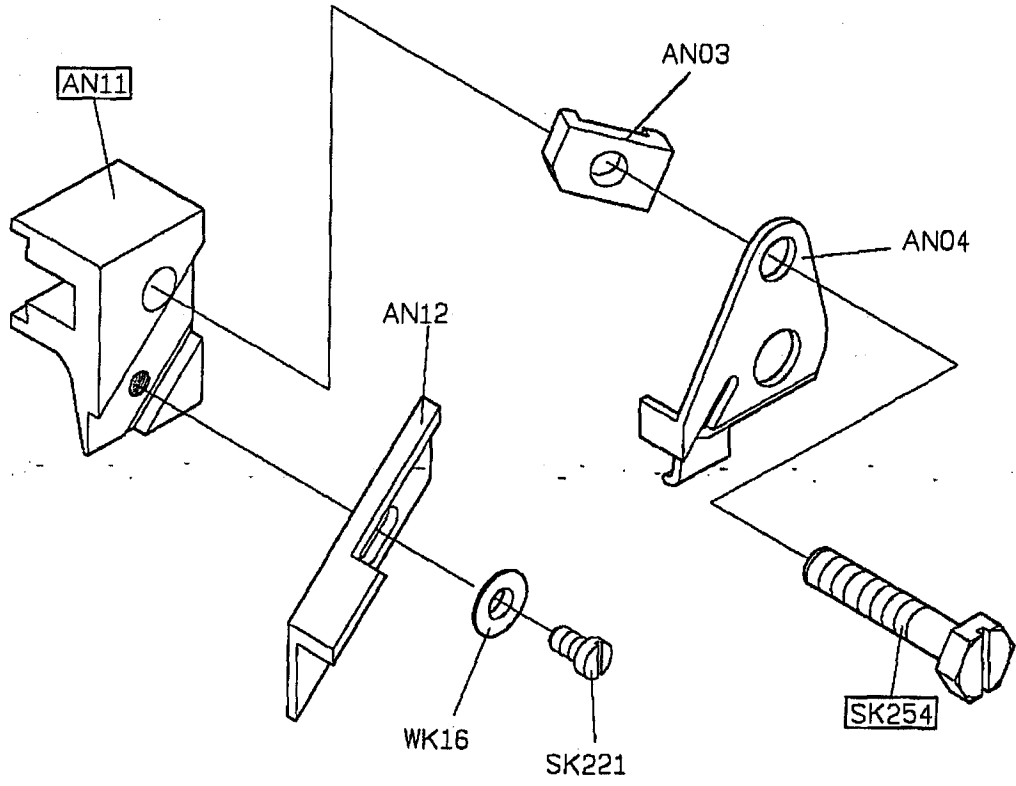
1/1

Date

2013/08/10

MODEL	#3/#4	#5/#6
PARTS NO	AN11	AN01
	SK254	SK348

A
B
C
D
E



1 2 3 4 5

SIRUBA

PARTS LIST

Series

700F

Parts Group

BK-F

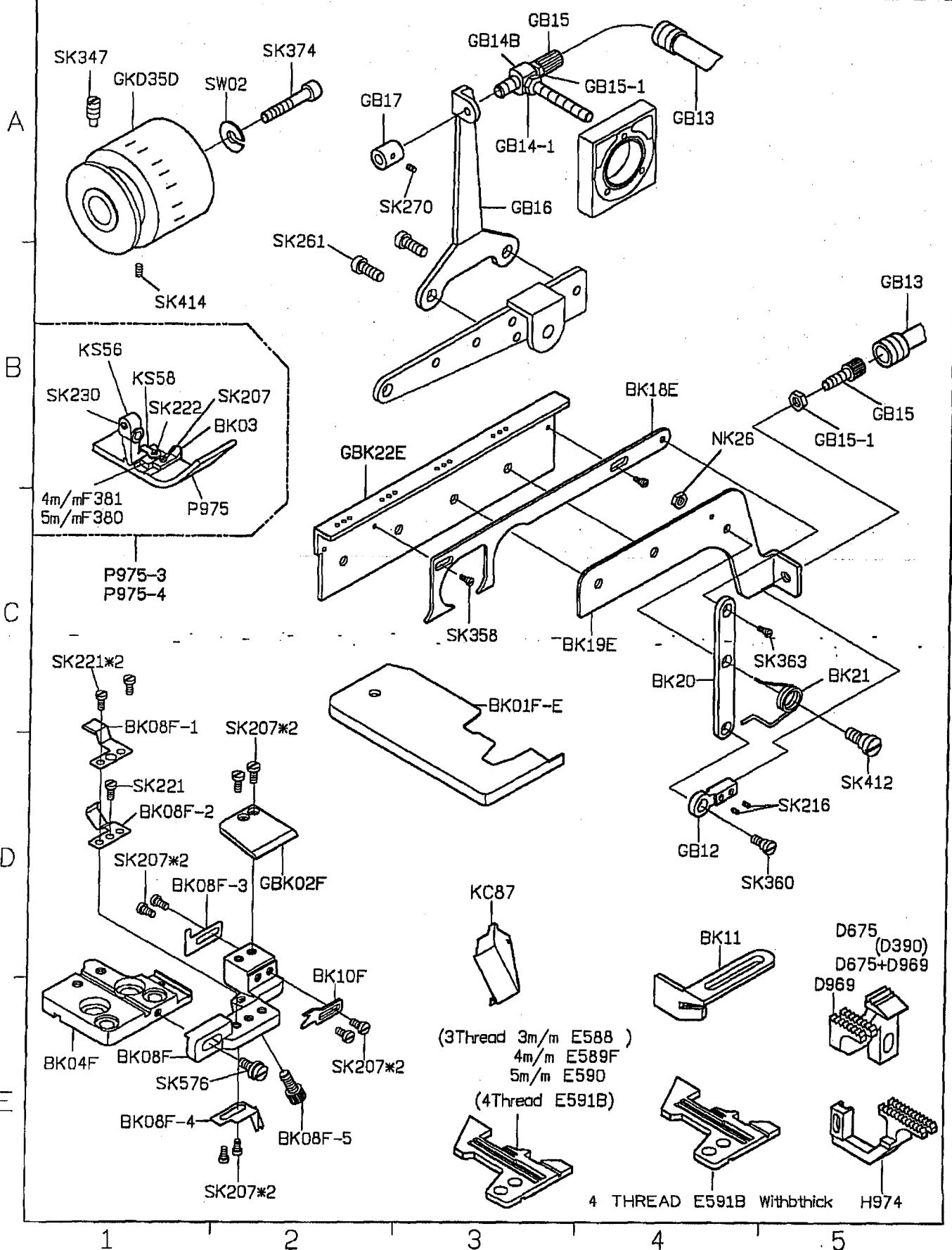
Subclass / Remark

Page

1/1

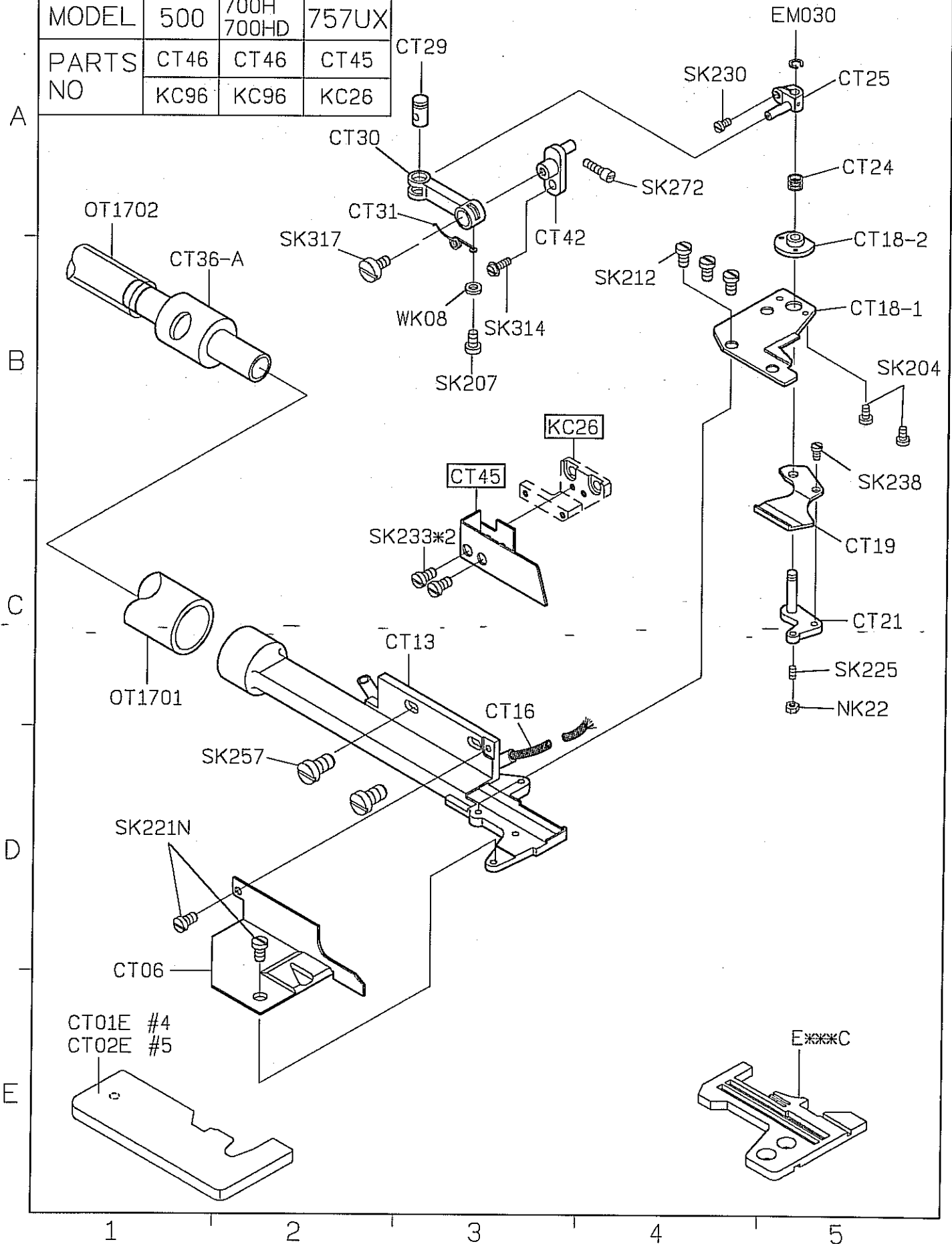
Date

2013/08/10



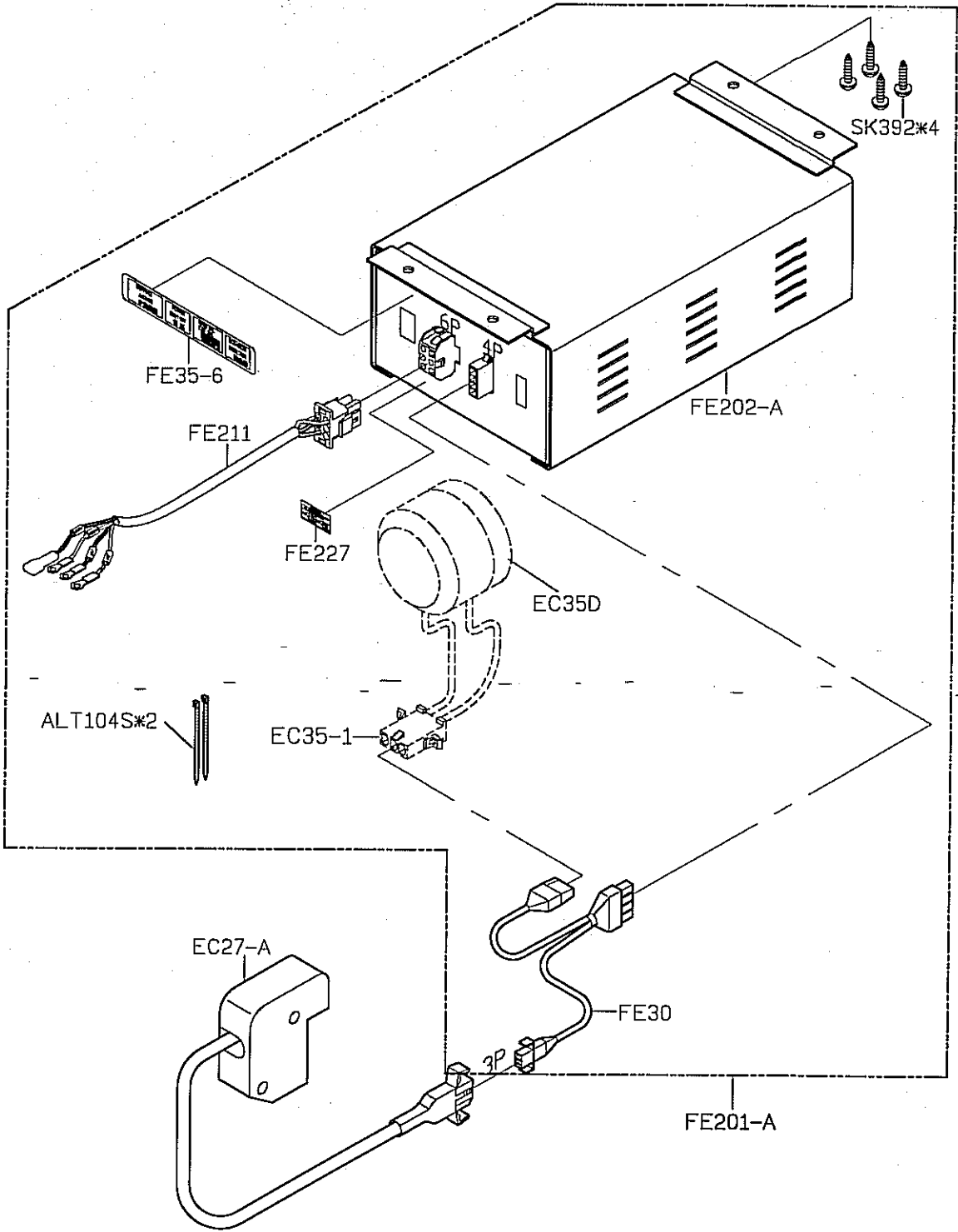
SIRUBA PARTS LIST	Series		Parts Group	Subclass / Remark	Page
	700F		CT-F		1/1
					Date
2013/08/10					

MODEL	500	700H 700HD	757UX
PARTS NO	CT46 KC96	CT46 KC96	CT45 KC26



SIRUBA PARTS LIST	Series	Parts Group	Subclass / Remark	Page
	700F	EC-F		2/3
				Date
				2013/08/10

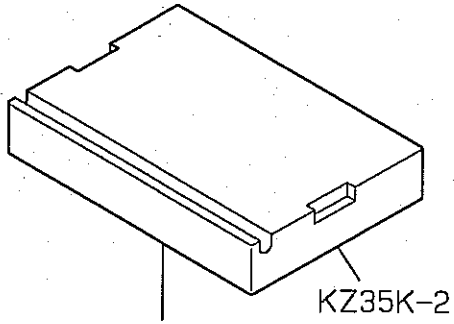
A
B
C
D
E



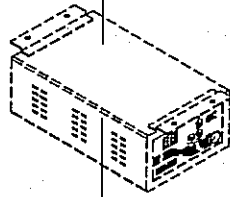
1 2 3 4 5

SIRUBA PARTS LIST	Series	Parts Group	Subclass / Remark	Page
	700F	EC-F		3/3
				Date
				2013/08/10

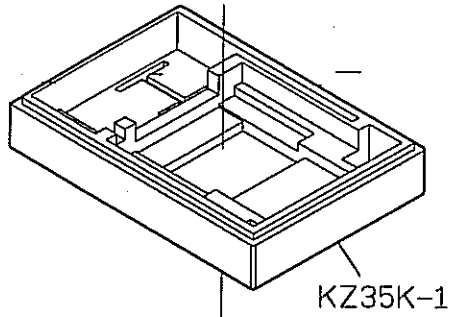
A



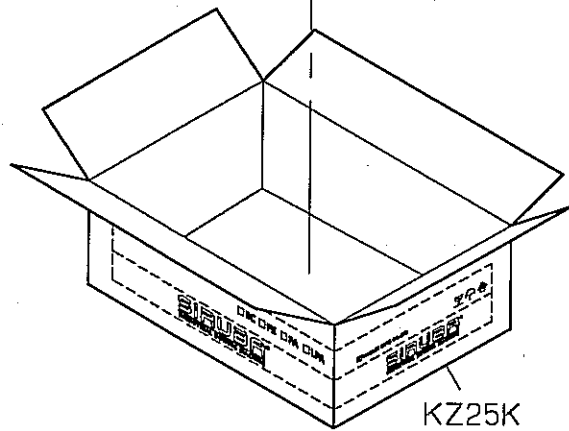
B



C



D



E

SIRUBA

PARTS LIST

Séries

700F

Parts Group

ES-F

Subclass / Remark

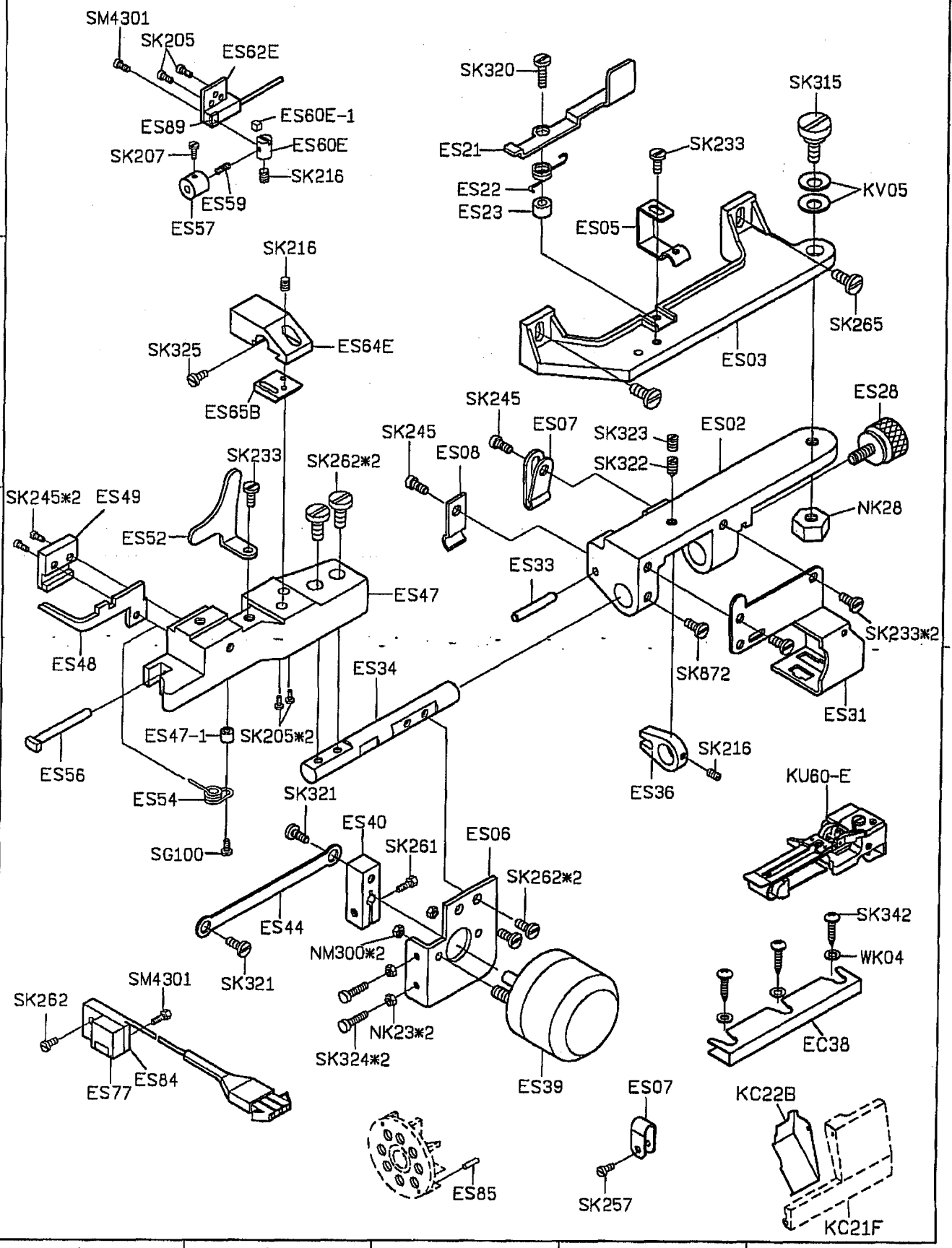
Page

1/2

Date

2013/08/10

A
B
C
D
E



1 2 3 4 5

SIRUBA PARTS LIST	Series	Parts Group	Subclass / Remark	Page
	700F	ES-F		2/2
				Date
				2013/08/10

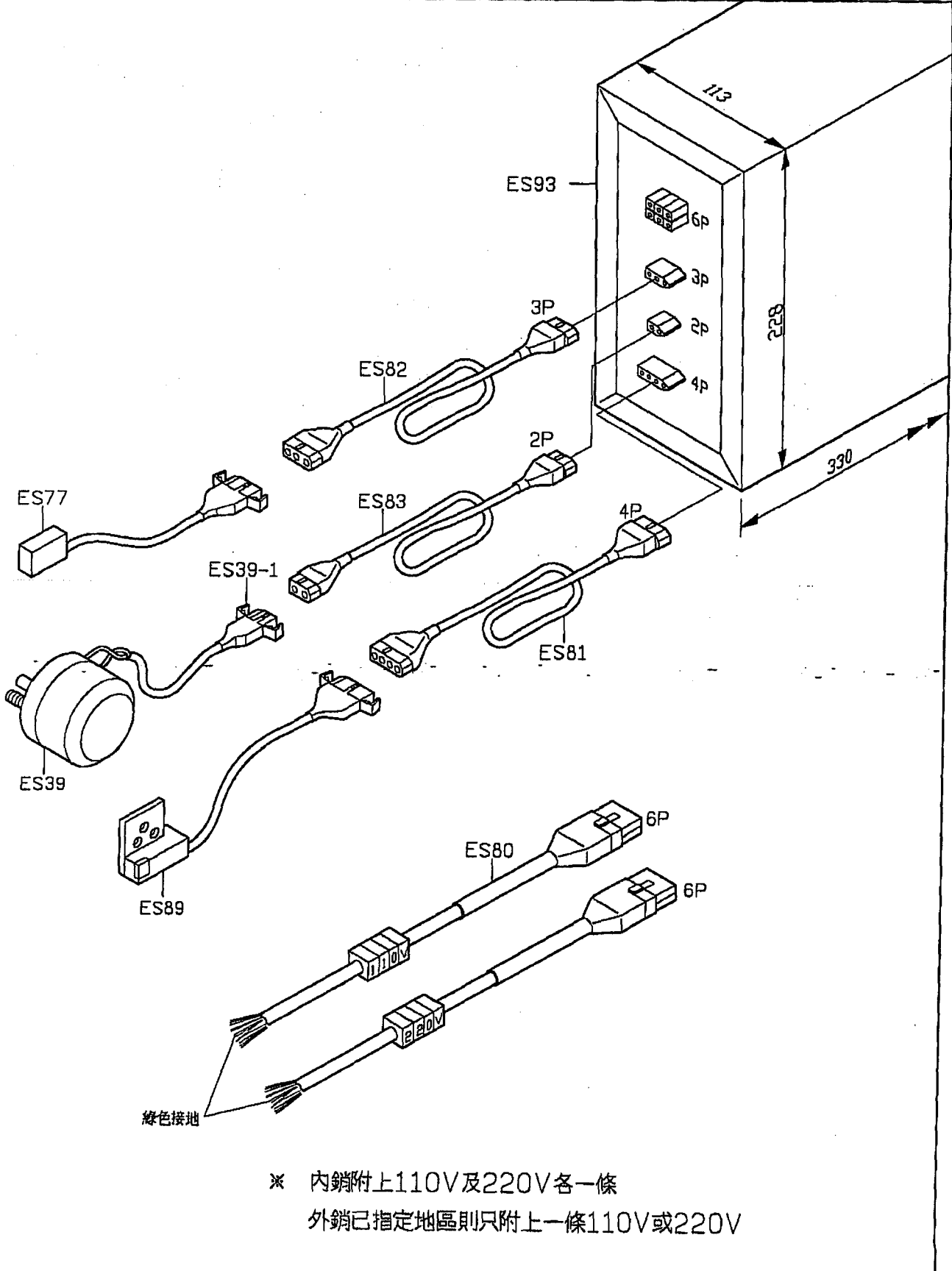
A

B

C

D

E



※ 內銷附上110V及220V各一條
外銷已指定地區則只附上一條110V或220V

1 2 3 4 5

SIRUBA

PARTS LIST

Series

700F

Parts Group

FLP-F

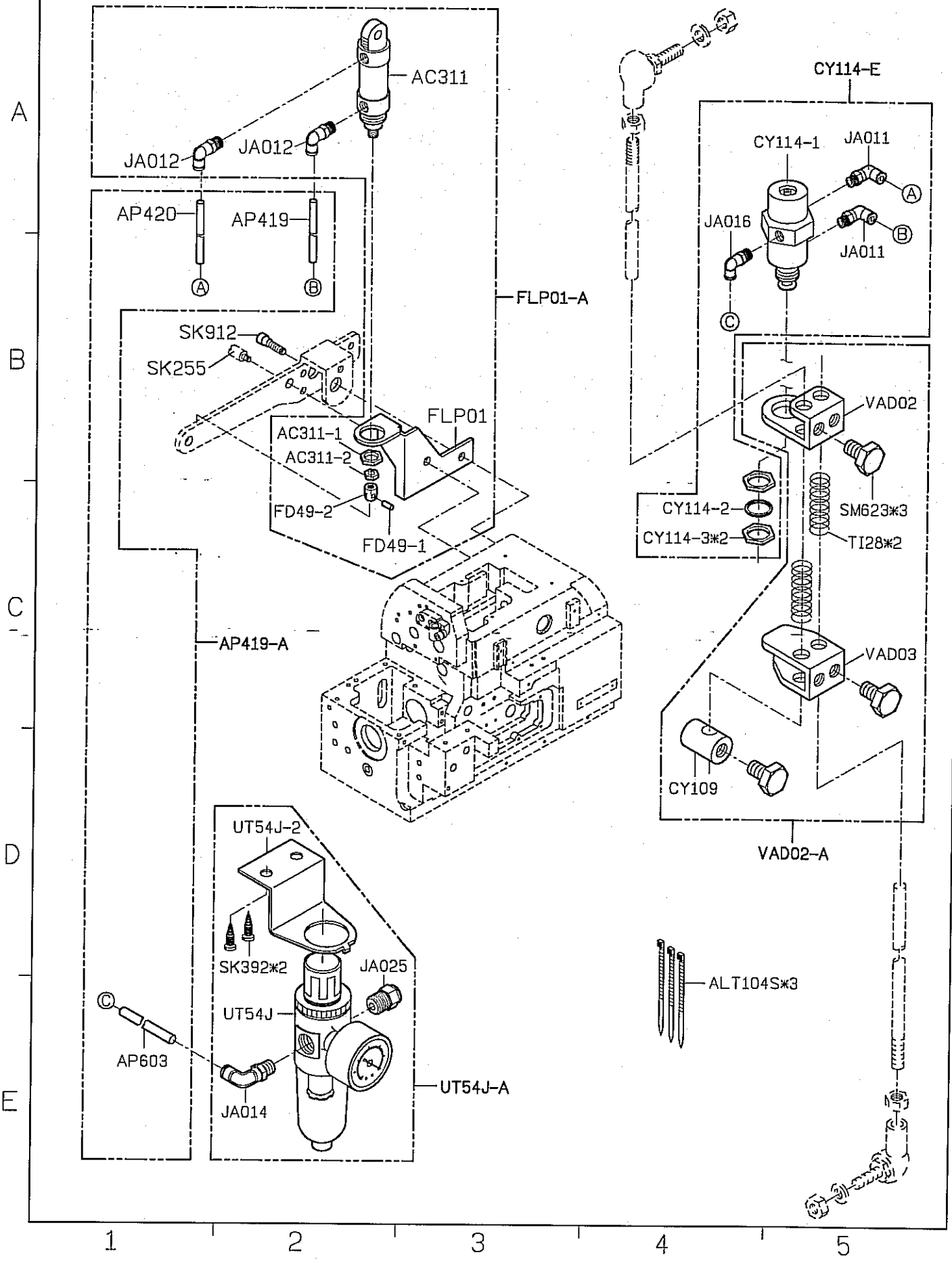
Subclass / Remark

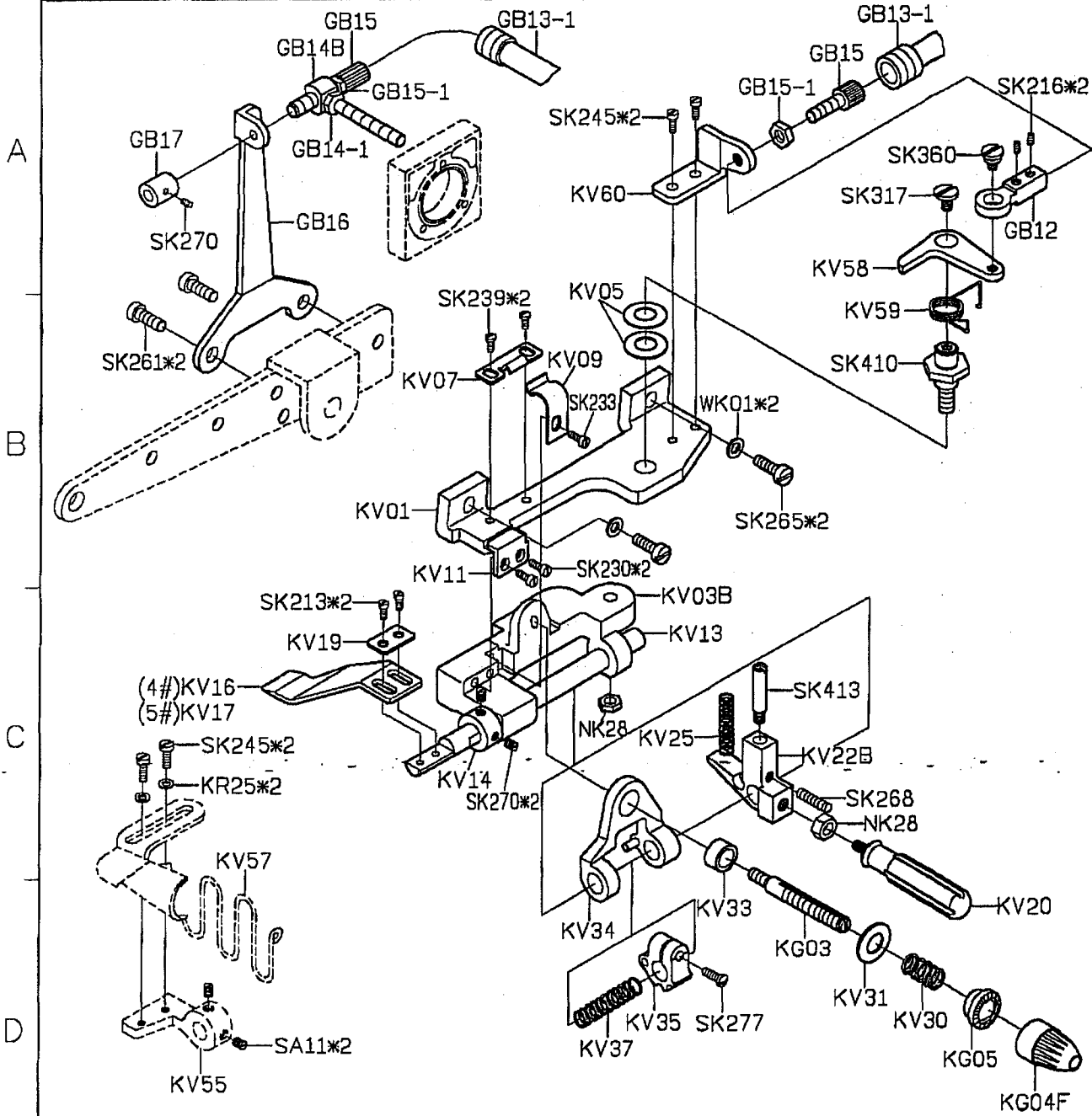
Page

1/1

Date

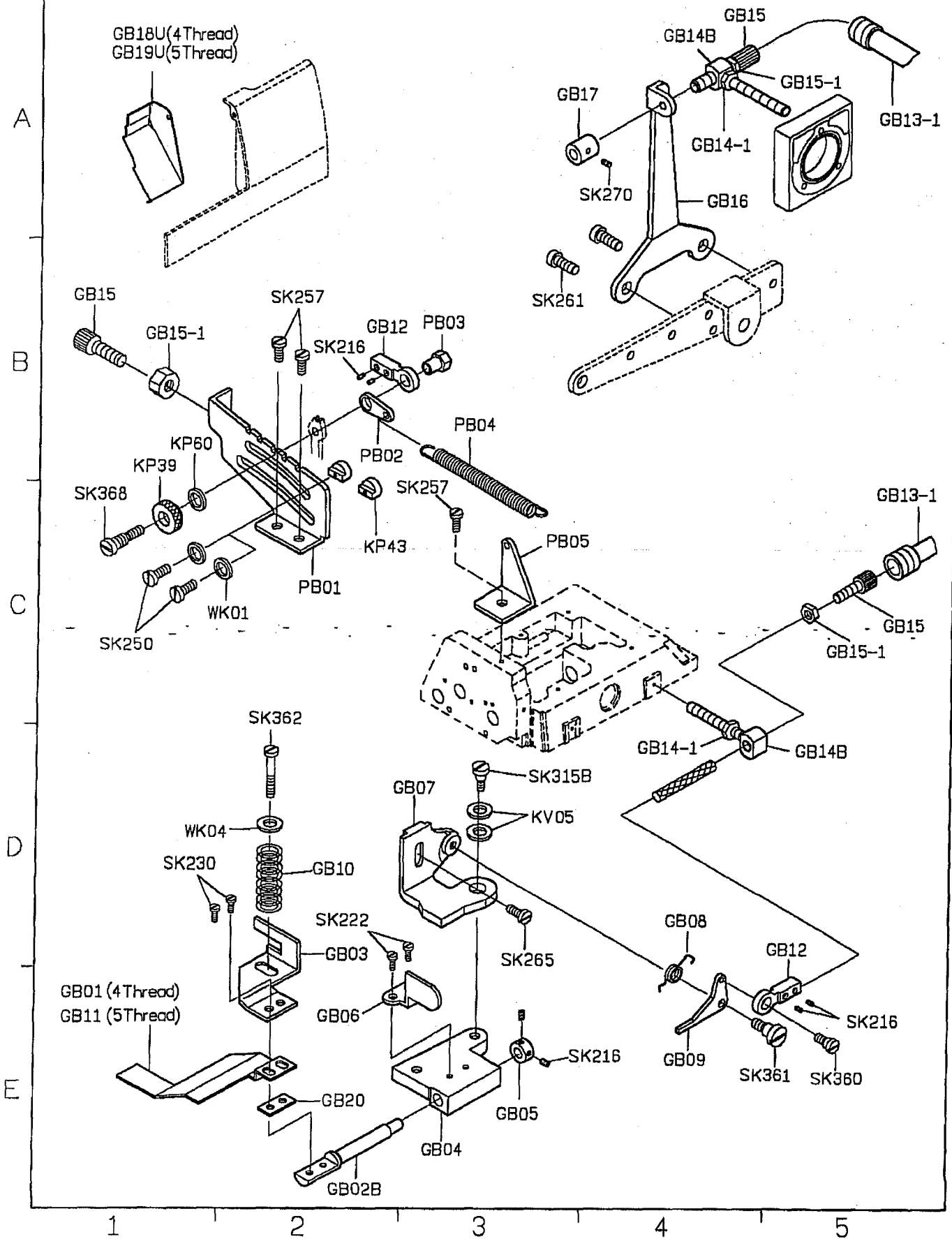
2013/10/09





4	2	4 6	E919	H959	D996 (D958+D095)	P136-A	KV16
5	3	5 8	E982	H957	D002 (D008+D502)	P508-A	KV17
	5	5 10	E986		D003 (D956+D502)	P509-A	

SIRUBA PARTS LIST	Series	Parts Group	Subclass Remark	Page
	700F	GB-F		1/1
				Date
				2013/08/10



SIRUBA

PARTS LIST

Series
700F

Parts Group
LFC-2

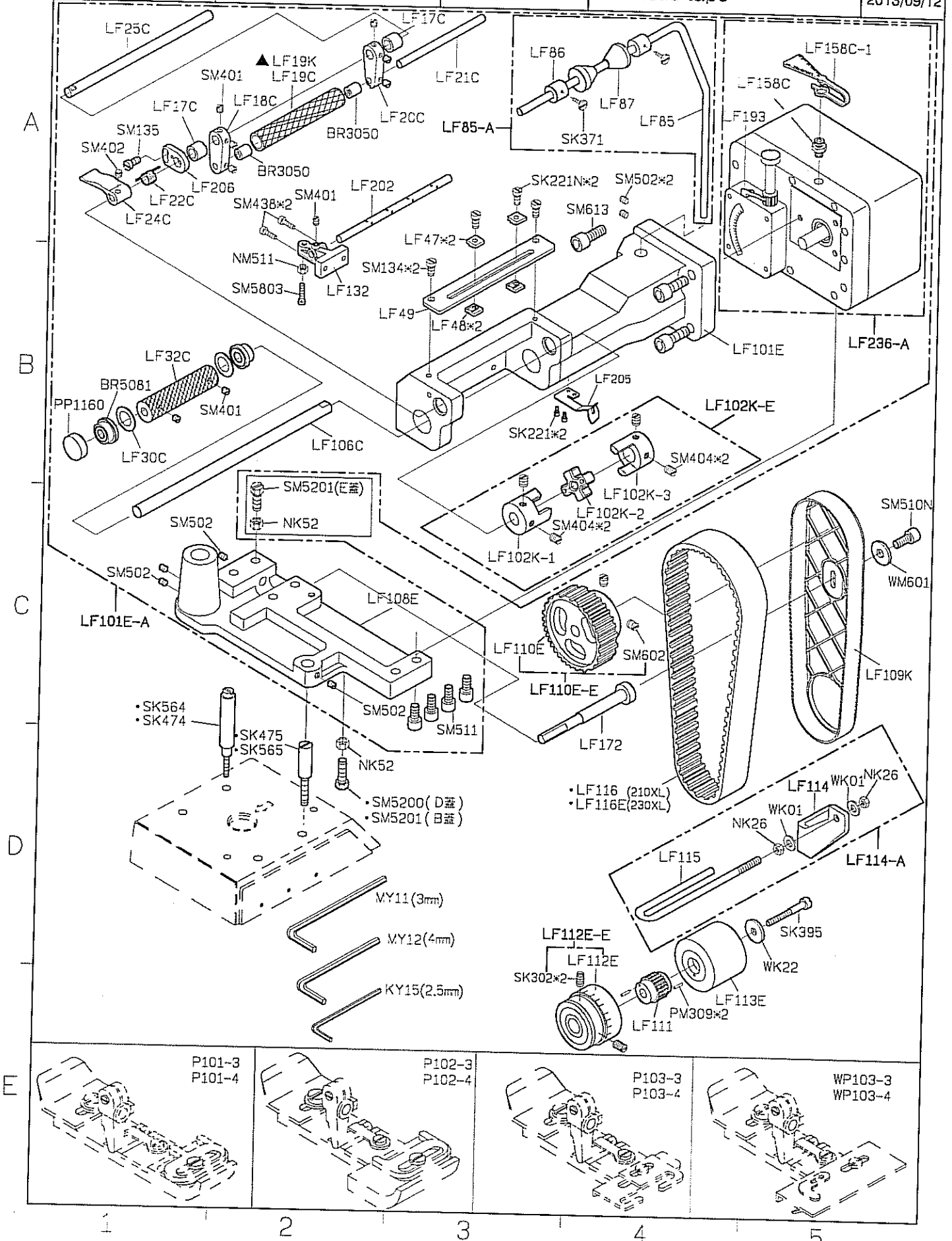
Subclass / Remark
▲ 橡膠輪適用薄鬆緊帶
Rubber puller for thin elastic tape

Page

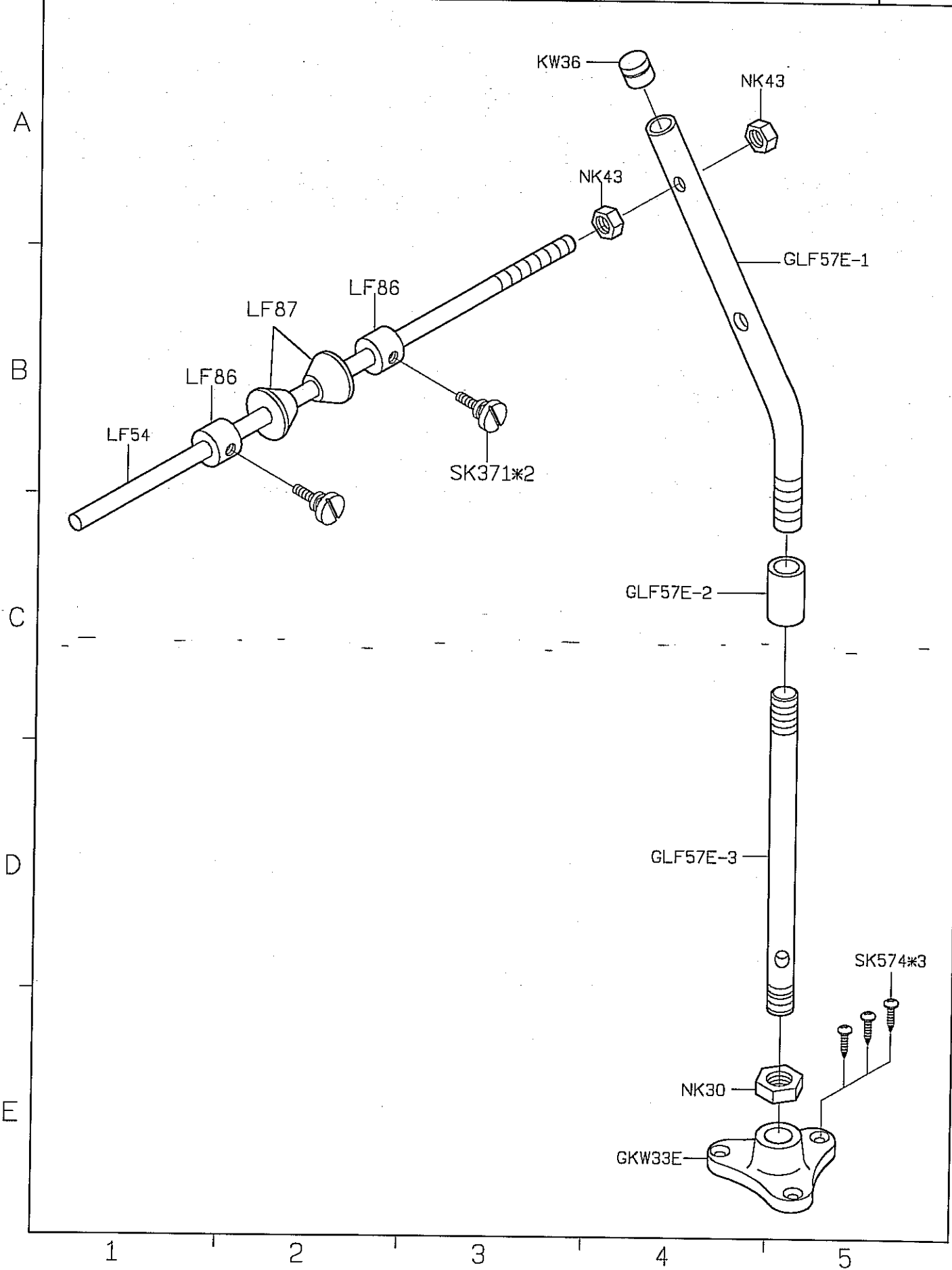
1/1

Date

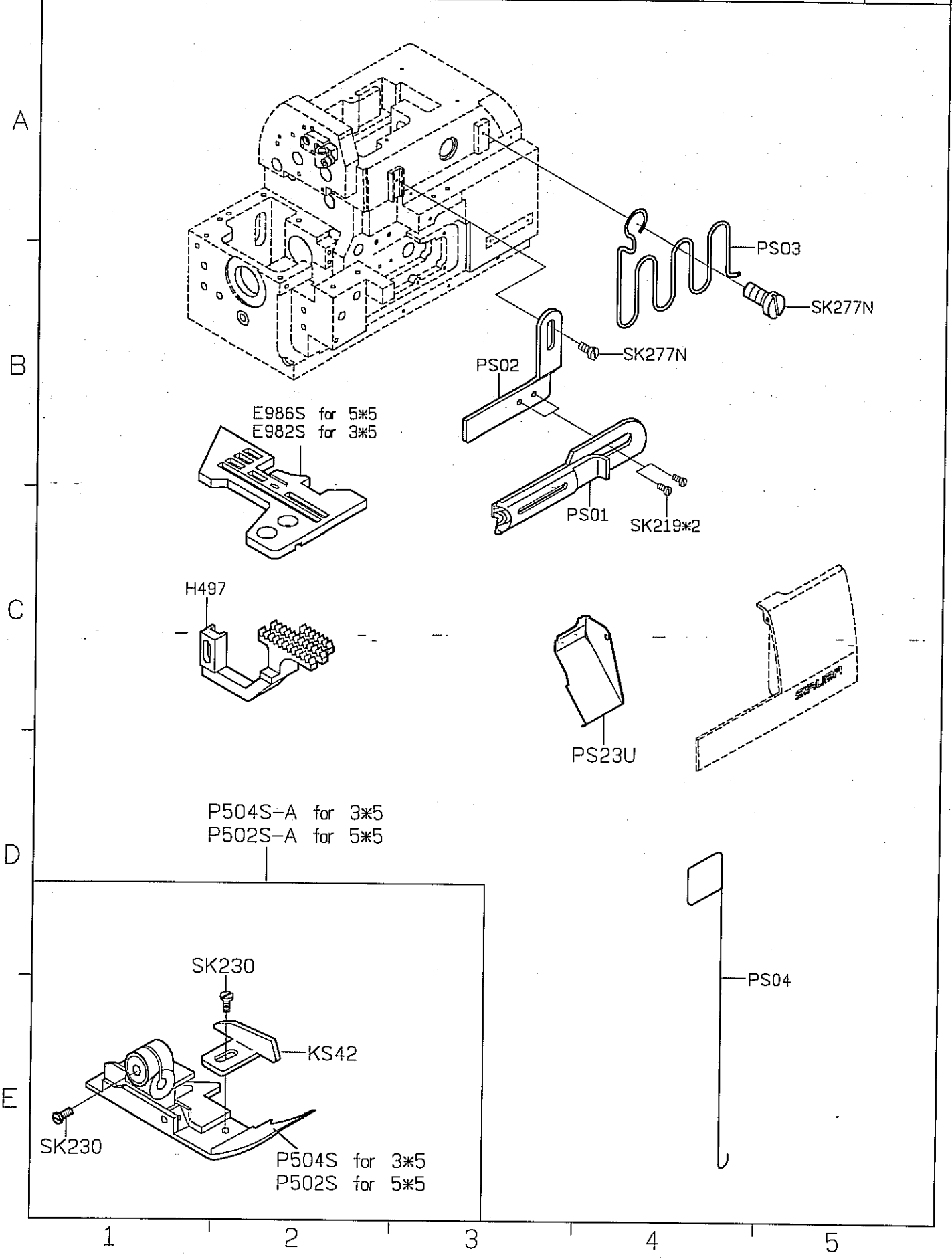
2013/09/12



SIRUBA PARTS LIST	Series	Parts Group	Subclass / Remark	Page
	700F	LS		1/1
				Date
				2013/09/10



SIRUBA PARTS LIST	Series	Parts Group	Subclass / Remark	Page
	700F	PS-F		1/1
				Date
				2013/10/09



SIRUBA

PARTS LIST

Series

700F

Parts Group

PZ-F

Subclass / Remark

Page

1/1

Date

2013/10/09

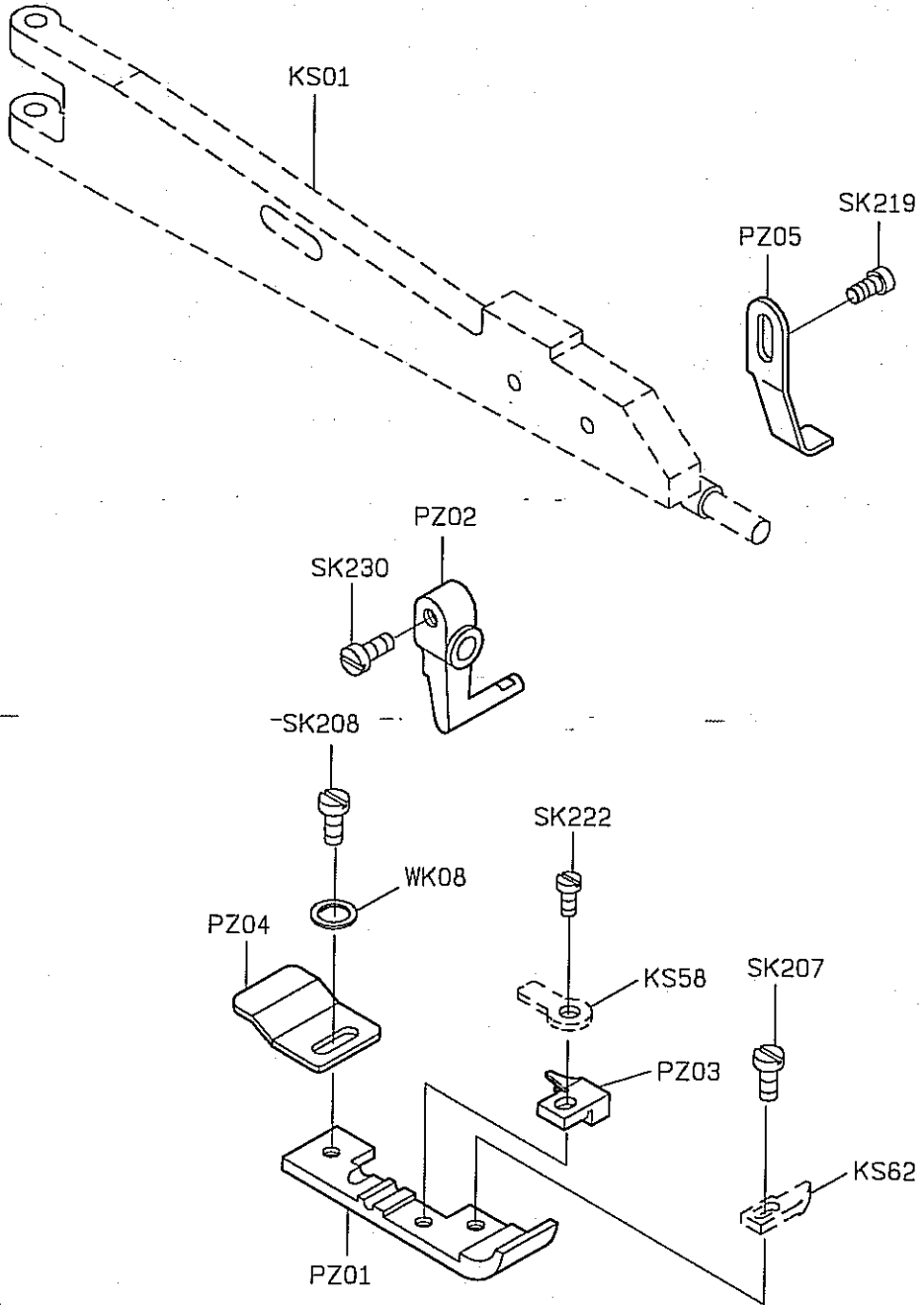
A

B

C

D

E



1

2

3

4

5

KX05*4

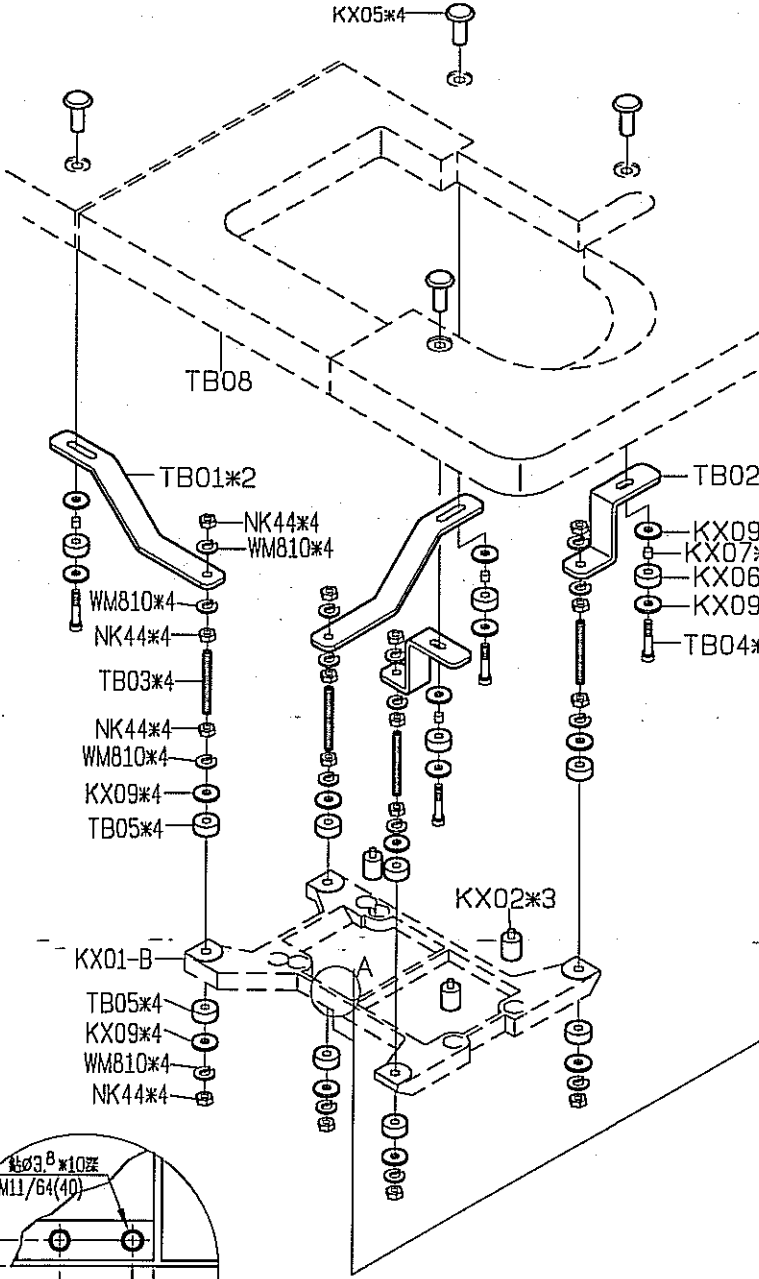
A

B

C

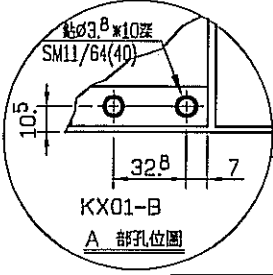
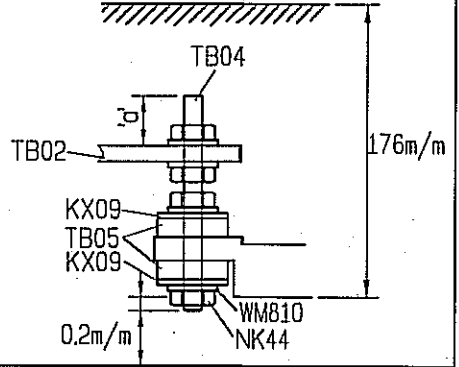
D

E



Thickness of Machine table	Dimension 'a'
50mm	19mm
45mm	14mm
40mm	9mm
35mm	4mm

Surface of table top



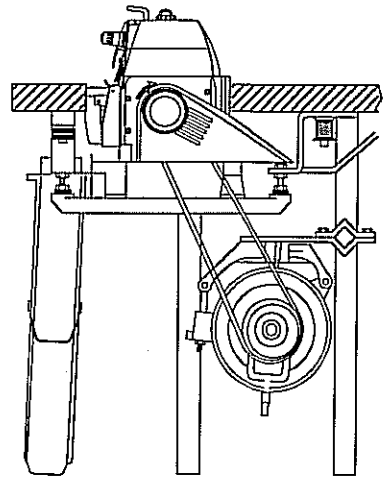
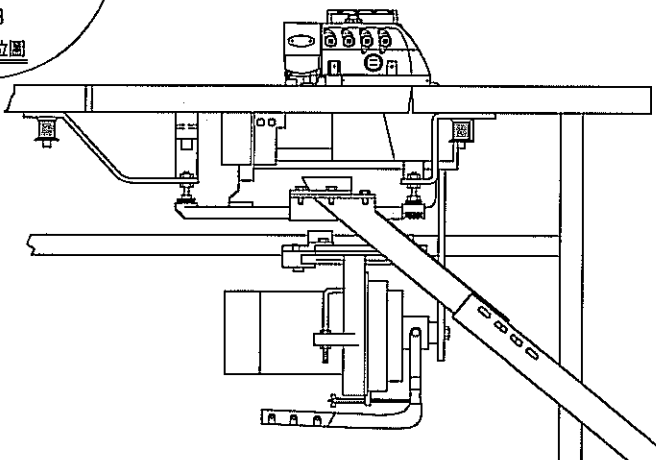
1

2

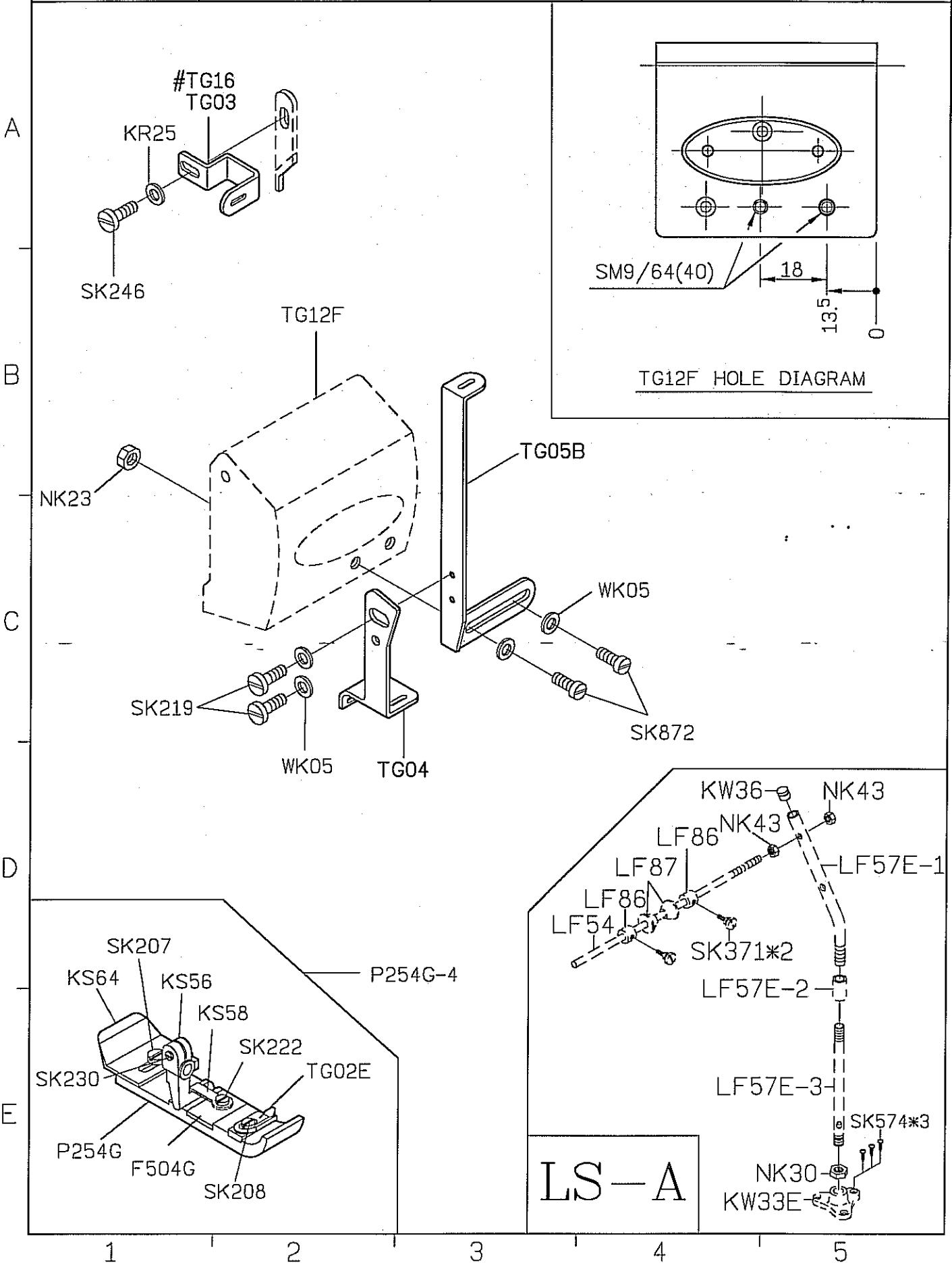
3

4

5

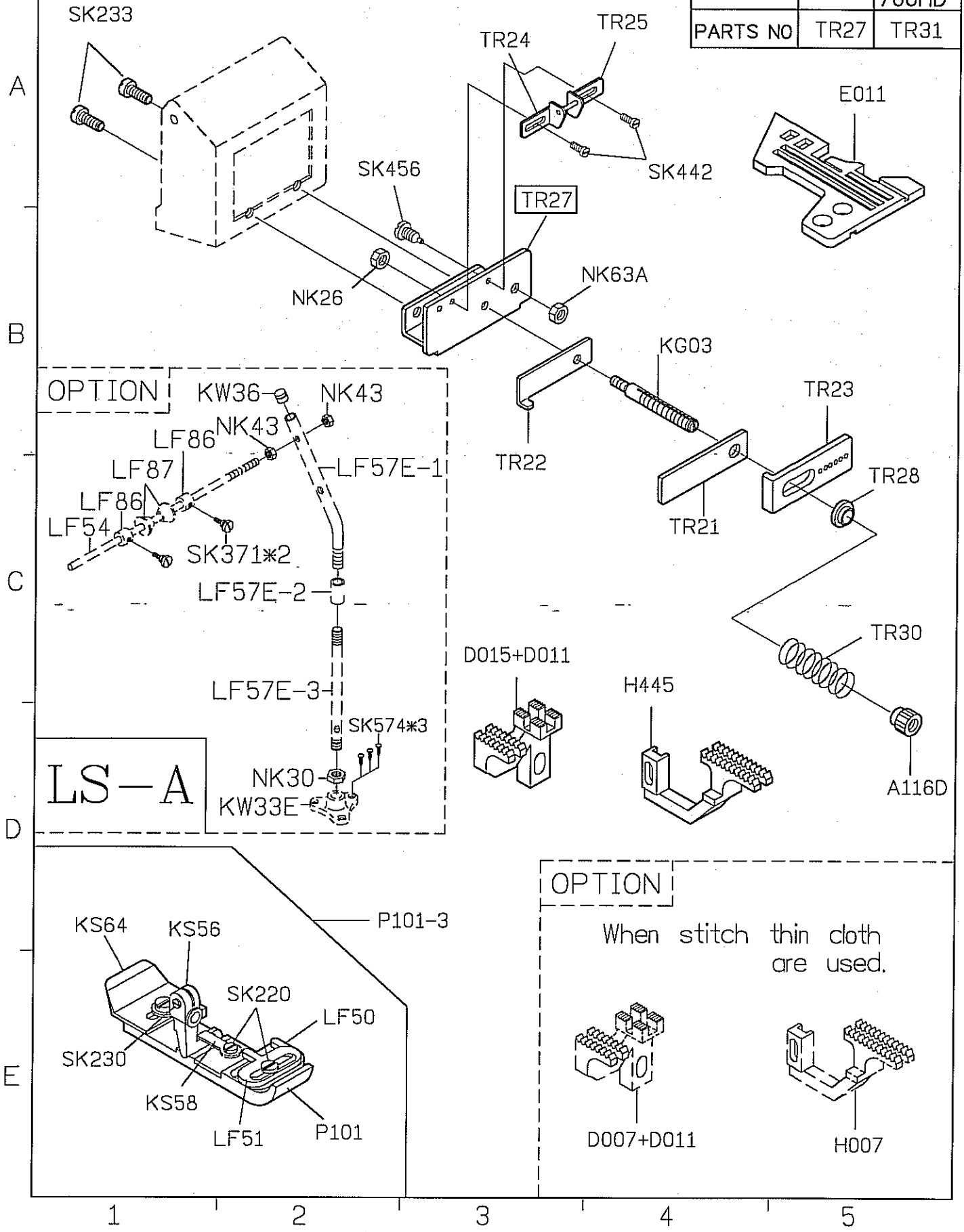


SIRUBA PARTS LIST	Series	Parts Group	Subclass / Remark	Page
	700F	TG-F	The device of LS-A is shown for indication only, this device is not including it	1/1 Date 2013/10/09



SIRUBA PARTS LIST	Series	Parts Group	Subclass / Remark	Page
	700F	TR-F	The device of LS-A is shown for indication only, this device is not including it	1/1 Date 2013/10/09

MODEL	700F	700H 700HD
PARTS NO	TR27	TR31



OPTION

LS-A

OPTION

When stitch thin cloth are used.

1 2 3 4 5

SIRUBA

PARTS LIST

Series

700F

Parts Group

TU

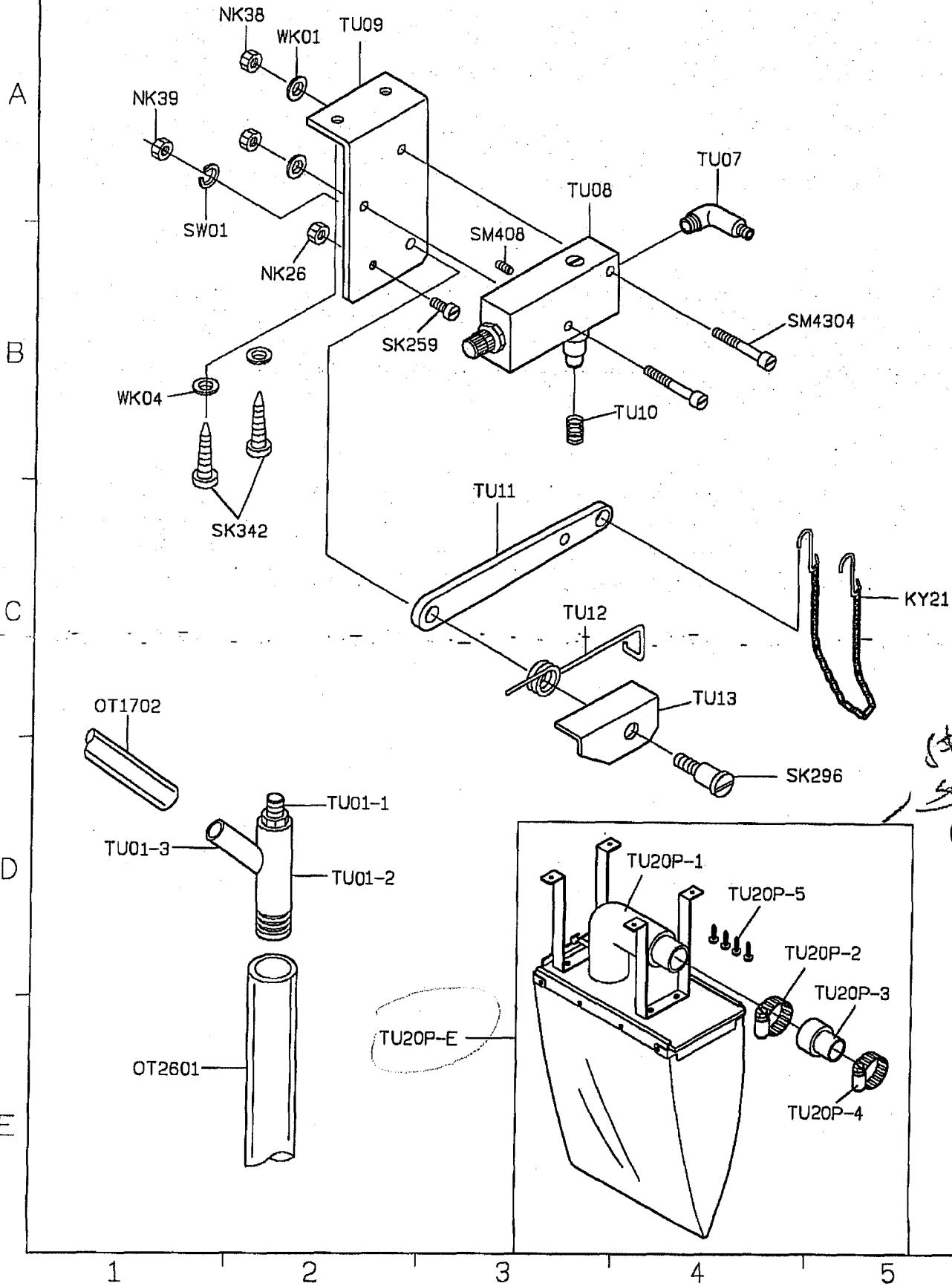
Subclass / Remark

Page

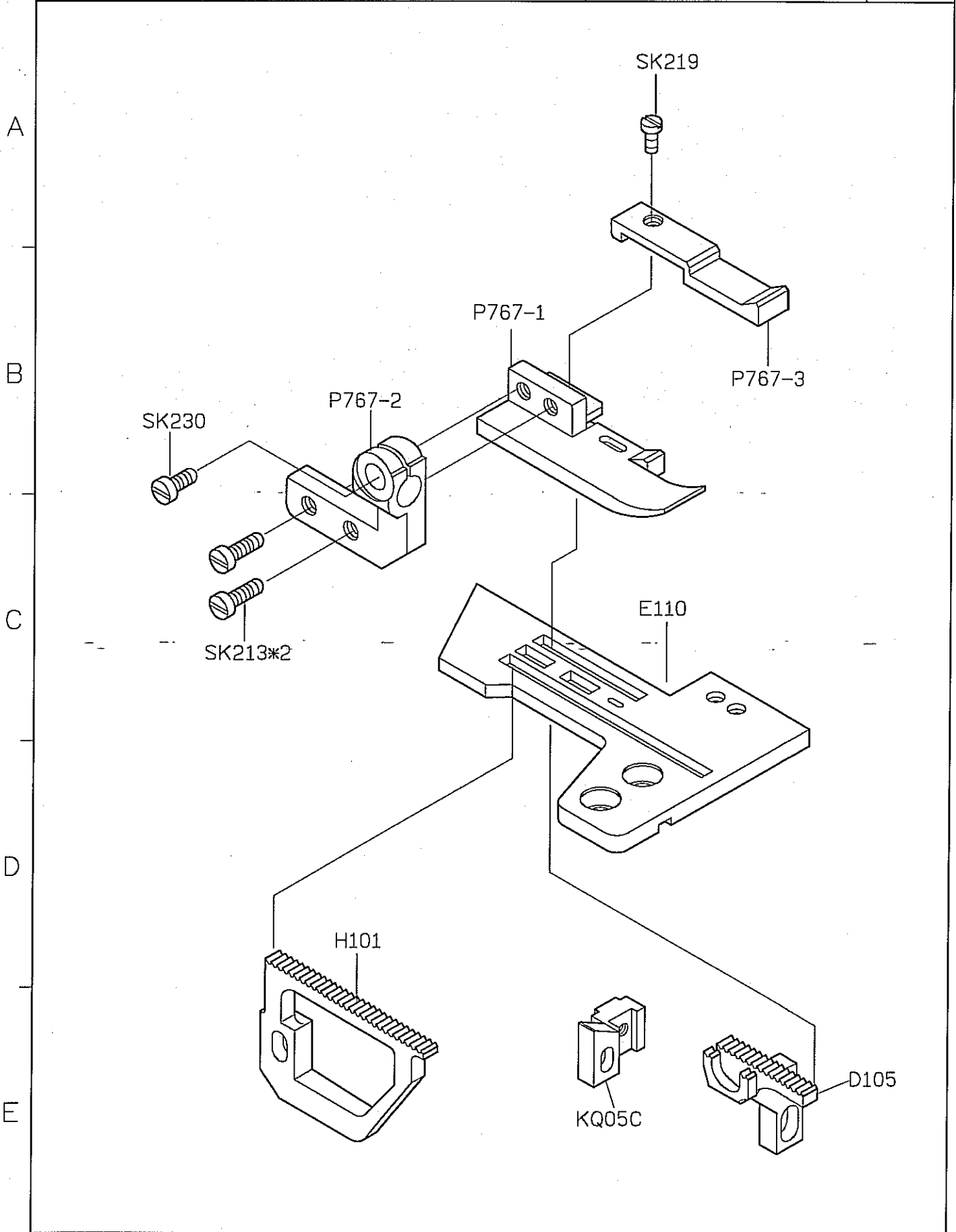
1/1

Date

2013/08/10



SIRUBA PARTS LIST	Series	Parts Group	Subclass / Remark	Page
	700F	TW-F		1/1
				Date
				2013/10/09



1 2 3 4 5

SIRUBA

PARTS LIST

Series

700F

Parts Group

VT-F

Subclass / Remark

Page

1/1

Date

2013/10/09

MODEL

700F

700H
700HD

PARTS
NO

CT46

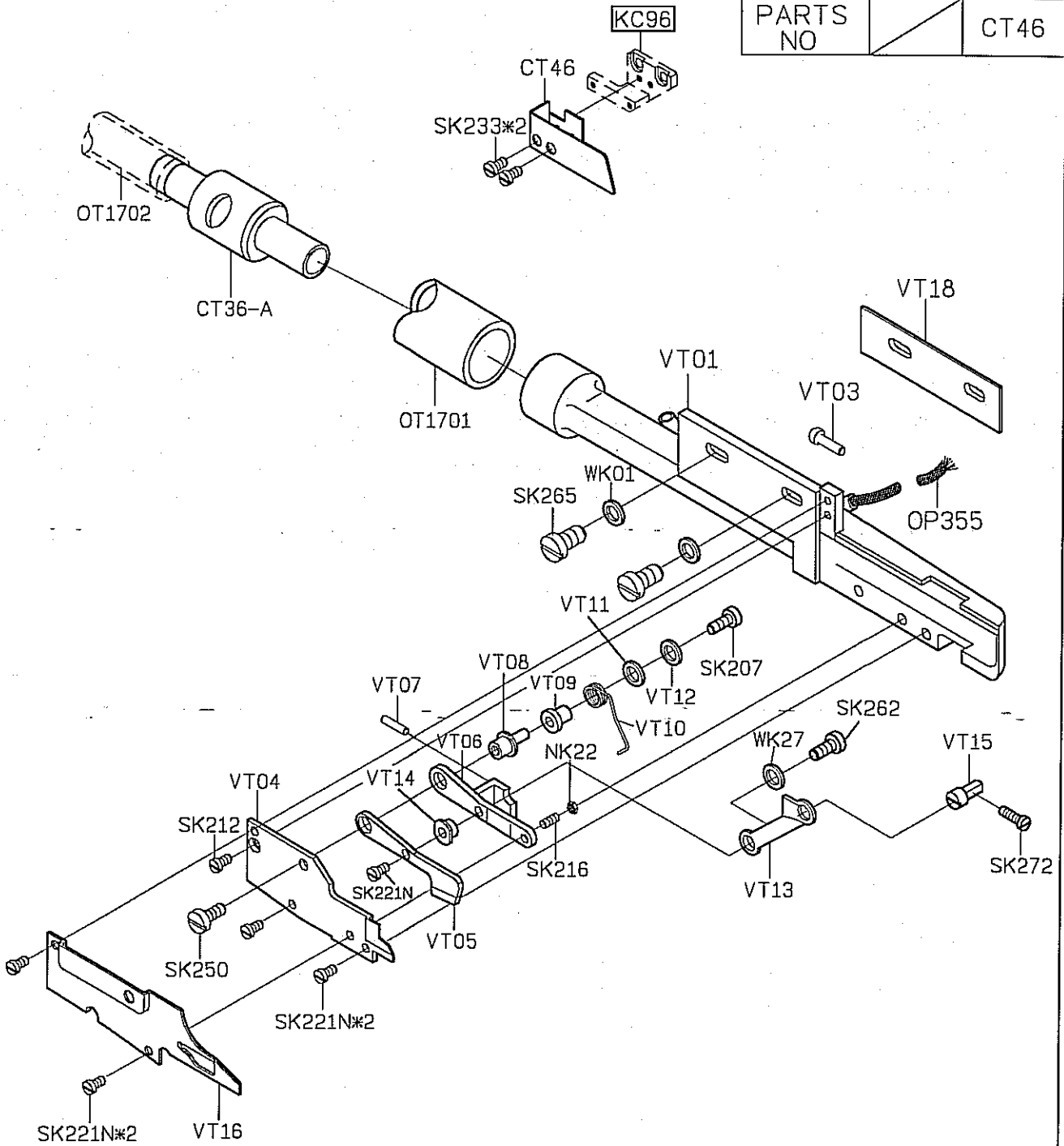
A

B

C

D

E



1

2

3

4

5

SIRUBA PARTS LIST	Series	Parts Group	Subclass / Remark	Page
	700F	WR-F		1/1
				Date
				2013/10/09

